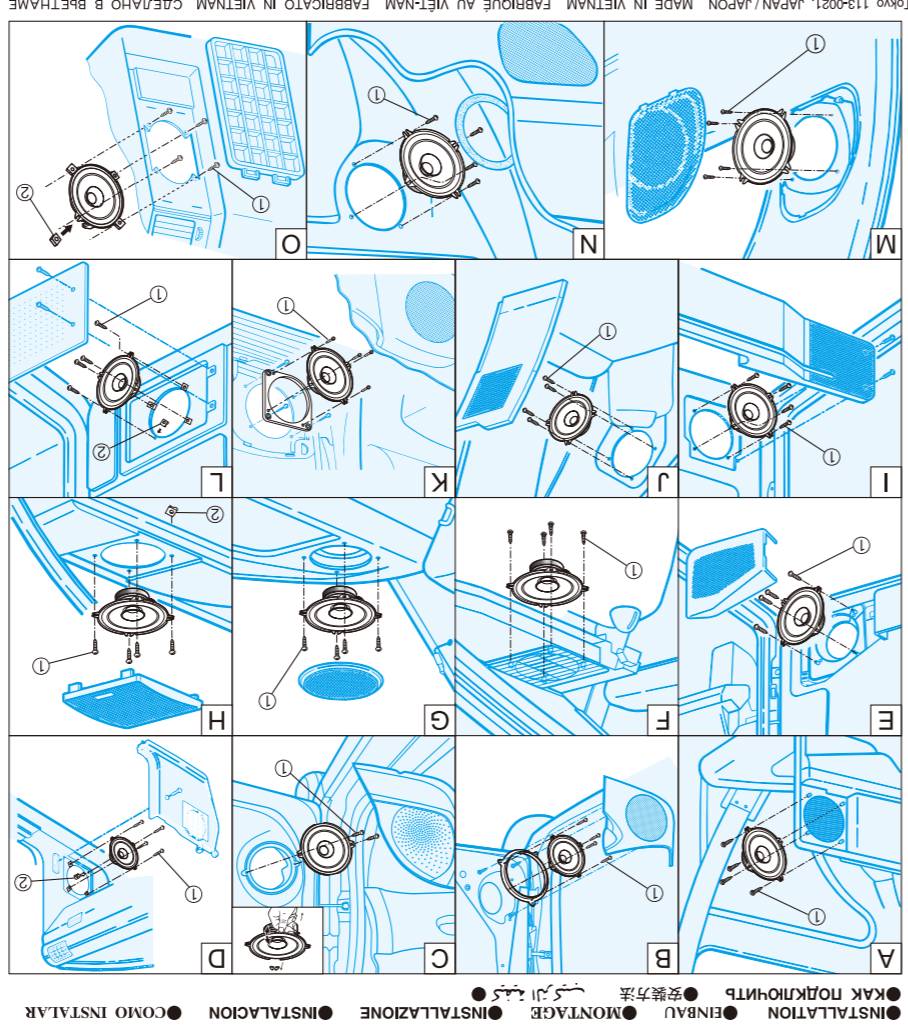


THF4946-B/VI (TS-1301I/XVI/EW5)



● KAK ПОДКЛЮЧИТЬ ● 安裝方法 ● INSTALTAZIONE ● INSTALACION ● COMO INSTALAR

Table with 4 columns: Model, Dimensions (mm), Weight (kg), and Notes. It lists various car models like Volvo, Skoda, Renault, Peugeot, Opel, and VW, along with their specific speaker part numbers and dimensions.

Be sure to read this instruction manual before installing this speaker.
Please refer to the instruction manual of the car for the location of the speaker.

Technical specifications and diagrams for the speaker. Includes a frequency response graph, dimensions (97.2x98mm), and a list of parts included (speakers, screws, etc.).

Pioneer TS-1301I Dual-Cone Speaker product information. Features 130W MAX power, 13cm diameter, and lists compatible car models like Opel, Renault, Skoda, and Volvo.

Assurance, Avvertimenti, Attention, and other safety and warranty information in multiple languages.

Main product image showing the Pioneer TS-1301I Dual-Cone Speaker. It features two drivers and a tweeter. Specifications include 130W MAX power, 13cm diameter, and 130W/MIX sensitivity.

TS-1301I Dual-Cone Speaker / HP Bicône / Diffusore Doppico Corno / ДВУХДИФУЗОРНЫЙ ГРОМКОГОВОРИТЕЛЬ. Includes technical notes and compatibility information.

Packaging information for the Pioneer TS-1301I Dual-Cone Speaker. Shows the speaker inside its box and lists compatible car models like Opel, Renault, Skoda, and Volvo.

TS-1301I HP Bicône product information. Features 130W MAX power, 13cm diameter, and lists compatible car models like Opel, Renault, Skoda, and Volvo.

Parts list and diagram for the TS-1301I HP Bicône. Lists included parts like screws and tweeter, and shows a detailed diagram of the speaker's internal components.

Side view of the Pioneer TS-1301I packaging. Shows the product name, power rating (130W MAX), and diameter (13cm).

Side view of the Pioneer TS-1301I HP Bicône packaging. Shows the product name and diameter (13cm).

THF-1946-B/VI
THF-1946-B/VI
THF-1946-B/VI
THF-1946-B/VI