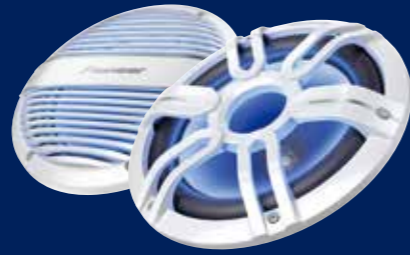


Pioneer



UD-ME100LED
MARINE LED KIT
KIT LED GAMME MARINE

Pioneer

UD-ME100LED
MARINE LED KIT
KIT LED GAMME MARINE
KIT LED MARINO
КОМПЛЕКТ LED-ПОДСВЕТКИ
АКУСТИКИ ДЛЯ ЯХТ И КАТЕРОВ



10"/25cm

WEATHER PROTECTION
PROTECTION CONTRE LES INTEMPÉRIES



UD-ME100LED
MARINE LED KIT
KIT LED GAMME MARINE



Pioneer

Pioneer

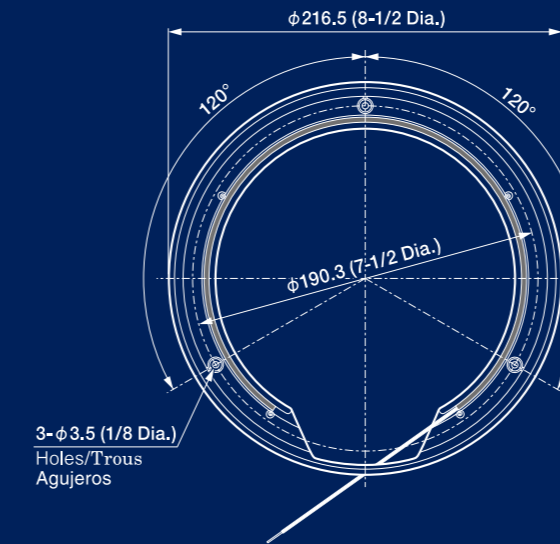
UD-ME100LED

Be sure to read the attached instruction manual before installing this speaker.
Prière de lire obligatoirement le manuel d'installation ci-joint avant de monter l'haut-parleur.
Antes de instalar el altavoz cerciórese de leer el manual de instrucciones adjunto.

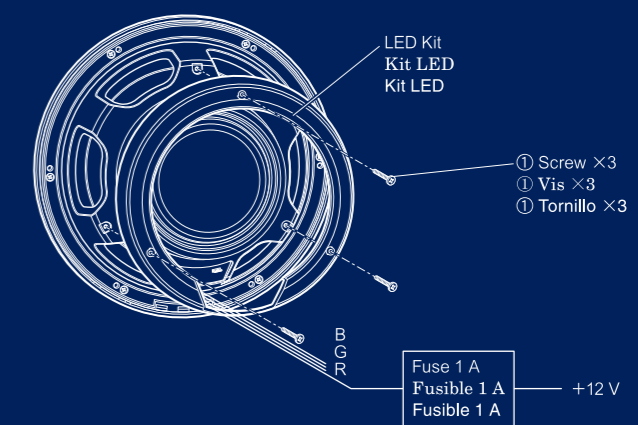


Optional RGB color illumination of the woofer cone provides enhanced personalization and cosmetic integration.
Kit LED multicolore RVB woofer pour un plus esthétique et une personnalisation de l'intégration.
Una opcional iluminación RGB del cono del woofer proporciona una integración y personalización mejorada.

● DIMENSIONS
● DIMENSIONS
● DIMENSIONES



● HOW TO USE LED KIT
● COMMENT UTILISER LE KIT LED
● COMO UTILIZAR EL KIT LED

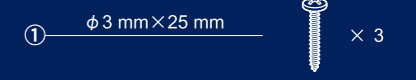


- ① Screw ×3
- ① Vis ×3
- ① Tornillo ×3

Fuse 1 A
Fusible 1 A
Fusible 1 A

Use a fuse of 1 A sold separately.
Utiliser un fusible de 1 A vendu séparément.
Usar el fusible de 1 A vendido por separado.

● PARTS INCLUDED
● PIÈCES COMPRIS
● PIEZAS INCLUIDAS



XCNUC
1 pc. / pièce
PIONEER CORPORATION



© PIONEER CORPORATION 2019
28-8, Honkomagome 2-chome, Bunkyo-ku, Tokyo 113-0021, JAPAN / JAPON
MADE IN CHINA FABRIQUE EN CHINE СДЕЛАНО В КИТАЕ

Pioneer

UD-ME100LED
MARINE LED KIT
KIT LED GAMME MARINE

THF5963-A/CN
THF5963-A/CN
THF5963-A/CN

UD-ME100LED/XCNUC THF5963-A/CN