

PIONEER
SOUND VISION. SOUL

INSTALLATION KIT FOR 2 DIN PIONEER
GM/USA HUMMER 2 /GM- CHEVROLET/
MC/PONTIAC/ TOYOTA MATRIX 03 04

MODEL **12.301138-01**



VEHICLE APPLICATIONS *Fits oversized Delco Radio dash opening only

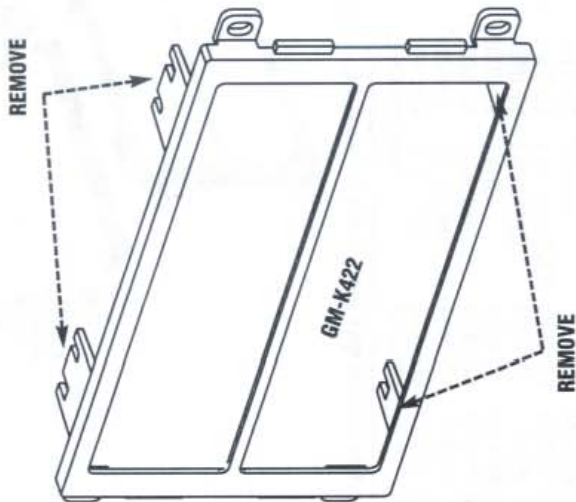
	Buick	Chevrolet Cont.	Oldsmobile
1997-05	CENTURY	2002-04 S-10 P/U	1996-98 ACHIEVA
1995-05	LA SABRE	2003-05 SILVERADO	1999-04 ALERO
1995-05	PARK AVE	2003-05 SUBURBAN	1995-03 AURORA
2004-05	RAINIER	2003-05 TAHOE	1998-04 BRAVADA
1995-04	REGAL	1998-04 TRACKER	1995-99 CUTLASS/SUPREME
2002-05	RENDEZVOUS	2002-05 TRAILBLAZER	1994-99 DELTA 88/ROYALE
1996-99	RIVIERA	2000-05 VENTURE	1998-02 INTRIGUE
1995-96	ROADMASTER	Geo	1996-99 LSS
1996-98	SKYLARK	1995-97 METRO	1994-96 NINETY-EIGHT
Cadillac		GMC	2000-04 SILOUETTE
1990-96	FLEETWOOD	2004-05 CANYON	Pontiac
	BROUGHAM	2002-05 ENVOY	2001-05 AZTEK
1992-95	EL DORADO	2002	2000-04 BONNEVILLE
2003-05	ESCALADE	*JIMMY	2001-03 GRAND AM
1992-95	SEVILLE	2002-04 JIMMY	2000-05 SUNFIRE
		2001-04 SAVANA VAN	2000-04 MONTANA
Chevrolet		2003-05 SIERRA	2003-04 VIBE
2003-05	AVALANCHE	2002	*SONOMA
2002	BLAZER	2003-04 SONOMA	Suzuki
2003-04	BLAZER	2003-05 YUKON	2002
2000-05	CAVALIER	2003-05 XL	1992-98 AERIO
2004-05	COLORADO	Honda	1998-02 ESTEEM
2001-05	EXPRESS VAN	1998-02 PASSPORT	1999-02 GRAND VITARA
2000-05	IMPALA	Hummer	1995-02 SWIFT
2000-03	MALIBU	2003-04 H2	1999-03 VITARA
1998-01	METRO	Isuzu	2002 XL-7
2000-05	MONTE CARLO	1998-00 AMIGO	Toyota
2004-05	SSR	2003 ASCENDER	2003-04 MATRIX
2002	*S-10 P/U	1998-02 RODEO	

BRACKET PREPARATION

For All Vehicles Not Including

1990-96 Fleetwood/Brougham

Remove the (2) top and the (2) bottom mounting tabs located on the Trim ring



For 1990-1996 Cadillac Fleetwood/Brougham instructions
See page 6

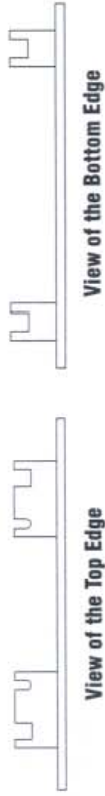
1990-1996 CADILLAC FLEETWOOD / FLEETWOOD BROUGHAM

DASH DISASSEMBLY INSTRUCTIONS

1. Carefully unclip the dash trim bezel from above the climate controls.
2. Remove the (2) screws securing the top of the Radio/climate control trim bezel, carefully unclip and remove bezel.
3. Remove the (4) screws securing the radio to the sub-dash.
4. Carefully slide radio out of the dash, disconnect all wire harnesses and antenna lead (if applicable) and remove radio.
5. Remove the top and bottom mounting brackets from the factory radio; you will need to attach these brackets to the installation kit following the instructions in the kit.

FACTORY BRACKET ATTACHMENT INSTRUCTIONS

1. Attach top factory mounting bracket (using carriage bolts and nuts supplied with kit) to top edge of kit.
2. Attach bottom factory mounting bracket (using carriage bolts and nuts supplied with kit) to bottom edge of kit.



ISO MOUNT INSTRUCTIONS

- REMOVE ALL MOUNTING TABS ON THE SIDE BRACKETS.
- REMOVE (4) SIDE MOUNTING TABS ON ISO TRIM RING.

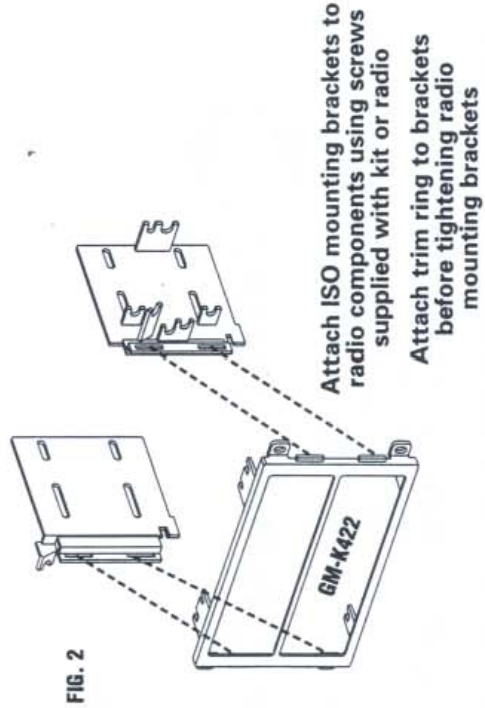
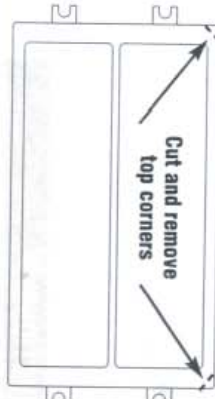


FIG. 2

1. Open ashtray and remove ashtray cup.
2. Remove (1) phillips screw from rear of ashtray cavity.
3. Carefully unclip trim bezel from around radio/lighter assembly.
4. Disconnect wire harness from lighter and remove trim assembly.
5. Remove the (4) phillips screws securing radio to subdash.
6. Pull radio forward, disconnect the wire harness and antenna lead and remove radio.

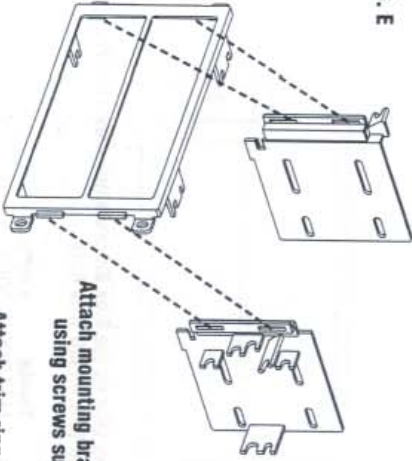
FIG. C



****Remove all mounting tabs on the Side Brackets not shown above.
 Remove all mounting Tabs on ISO Trim Ring**

Honda
 PASSPORT
Isuzu
 AMIGO
 RODECO

FIG. E

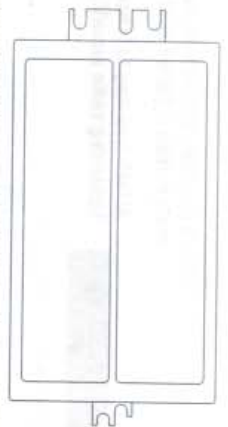


Attach mounting brackets to radio components using screws supplied with kit or radio

Attach trim ring to brackets before tightening radio mounting brackets

SIDE BRACKET PREPARATION

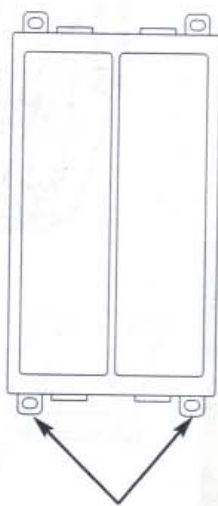
FIG. A



****Remove all mounting tabs on the Side Brackets not shown above.
 Remove all mounting Tabs on ISO Trim Ring**

Buick CENTURY LA SABRE PARK AVE REGAL REGENCY RENDEZVOUS RIVIERA ROADMASTER SKYLARK	Cadillac ESCALADE Chevrolet BLAZER CAVALLER COLORADO EXPRESS VAN IMPALA MALIBU MONTE CARLO S-10 P/U SILVERADO	Suburban SSR TAHOE VENTURE GMC CANYON ENVOY JIMMY SIERRA YUKON XL	Hummer H2 Isuzu ASCENDER Oldsmobile ACHIEVA ALERO AURORA BRAVADA OUTLASSUPREME DELTA	88/ROYALE INTRIGUE LSS NINETY-EIGHT SILOUETTE Pontiac AZTEK BONNEVILLE GRAND AM MONTANA SUNFIRE
---	--	---	---	---

FIG. B



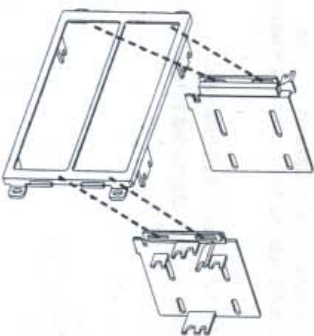
****Remove all mounting tabs on the Side Brackets**

Chevy/Geo
 METRO
 TRACKER
Suzuki
 AERIO
 ESTEEM
 SIDEKICK
 SWIFT
 GRAND
 VITARA
 XL-7

Do not remove these mounting tabs from ISO trim ring

Attach mounting brackets to radio components using screws supplied with kit or radio

Attach trim ring to brackets before tightening radio mounting brackets



For All Vehicles Not Listed Below

- 1998-02 Honda Passport
- 1998-00 Isuzu Amigo
- 1998-02 Isuzu Rodeo

Attach mounting brackets to radio components using screws supplied with kit or radio

Attach trim ring to brackets before tightening radio mounting brackets

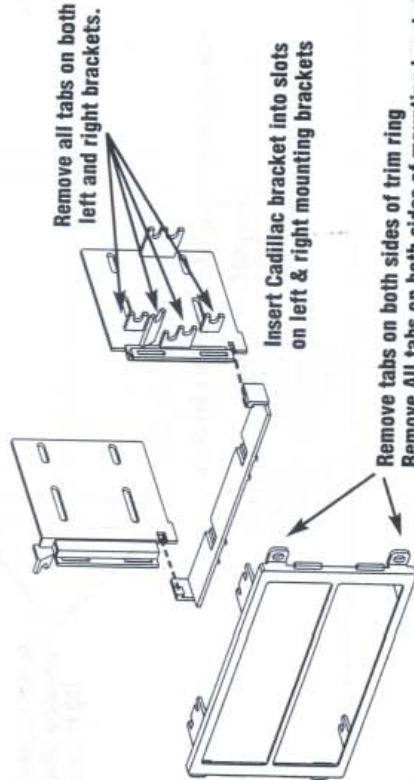
KIT ASSEMBLY



**Remove all mounting tabs on the ISO Trim ring

1992-95 Cadillac Applications

KIT ASSEMBLY



Remove all tabs on both left and right brackets.

Insert Cadillac bracket into slots on left & right mounting brackets

Remove tabs on both sides of trim ring
Remove All tabs on both sides of mounting brackets.

Using 2 nuts & bolts provided with kit, insert 1 bolt into each slot of Cadillac bracket-facing downward as illustrated below



All Double DIN Applications

See bracket preparation for your vehicle

Attach mounting brackets to radio components using screws supplied with kit or radio

Attach trim ring to brackets before tightening radio mounting brackets



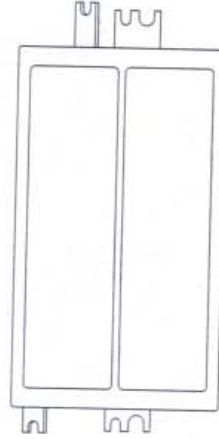
Cut and remove center rib and file sides smooth

2003-04 Pontiac Vibe/Toyota Matrix

DASH DISASSEMBLY INSTRUCTIONS

1. Starting from the bottom of the Radio trim bezel, carefully pry outward on the dash trim bezel to unclip the lower edge and sides.
2. Angle the dash trim bezel outward from the bottom and pull the top of the panel down to unfasten the two upper tabs.
3. Pull the trim bezel forward and disconnect all harnesses attached to the panel and remove panel.
4. Remove the harness clamp attached at the rear of the left factory radio bracket.
5. Remove the (4) 10mm bolts securing the factory radio to the sub-dash.
6. Pull radio forward, disconnect the wire harness and antenna lead and remove radio.

FIG. D



**Remove all mounting tabs on the Side Brackets not shown above.
Remove all mounting Tabs on ISO Trim Ring

Toyota
MATRIX
Pontiac
VIBE

For kit assembly instructions see Figure E on page 4