

**APPLICATIONS**

**Hyundai Santa Fe  
2007**

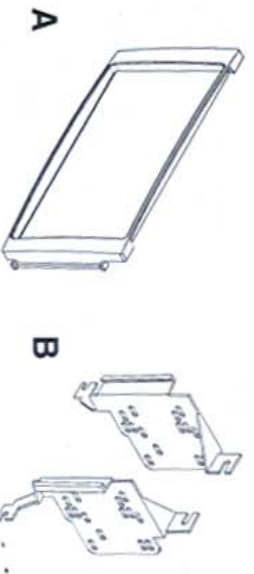


**KIT FEATURES**

- Double DIN Radio Provision
- Stacked ISO Units Provision

**KIT COMPONENTS**

A) Double DIN Trim Plate B) Double DIN Brackets



**TOOLS REQUIRED:**

- Small Flat Blade Screwdriver
- Panel Removal Tool
- Phillips Screwdriver



**TABLE OF CONTENTS**

**Dash Disassembly**

- Hyundai Santa Fe 2007 ..... 1

**Kit Assembly**

- Double DIN Radio Provision ..... 2

- Stacked ISO Units Provision ..... 3

**Final Assembly** ..... 4

**\*Note:**

*Refer also to the instructions included with the aftermarket radio.*

**1** Disconnect the negative battery terminal to prevent an accidental short circuit.

**2** Remove (1) Phillips screw from the right side of the panel below the steering column then unclip and let right side of panel hang. (Figure A)

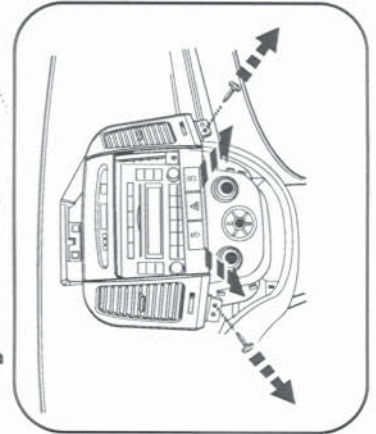
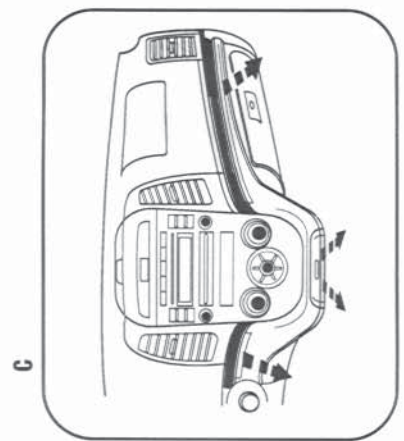
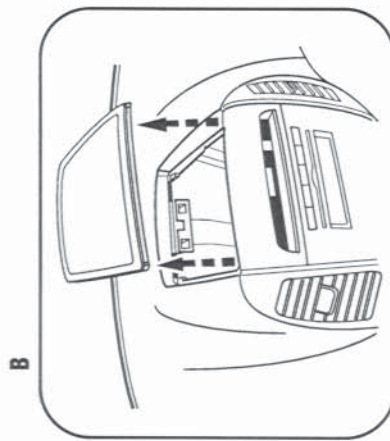
**3** Unclip and remove the cover above the clock on top of panel surrounding the radio. (Figure B)

**4** Unclip and remove the panel extending across the dash below the a/c control and above the glove box including the ash tray. (Figure C)

**5** Remove (2) Phillips screws then unclip and remove the panel surrounding the radio including the a/c vents. (Figure D)

**6** Remove (4) Phillips screws securing the radio. Unplug and remove radio.

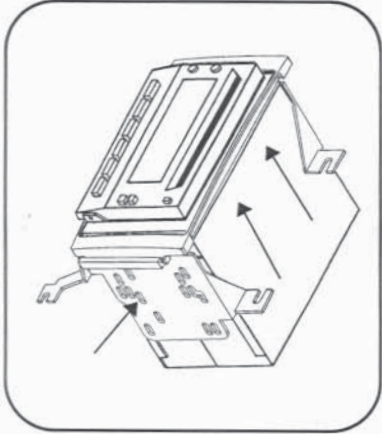
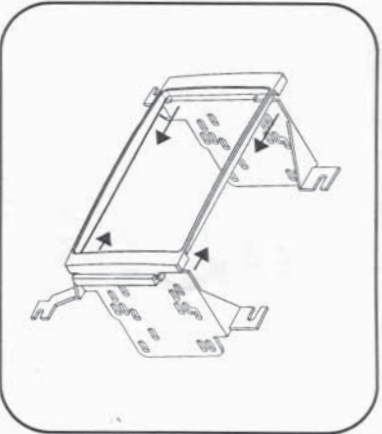
*Continue to kit assembly.*



**1** Snap the Double DIN brackets to the outside edge of the Double DIN trim plate. (Figure A)

**2** Slide the Double DIN radio into the bracket/trim plate assembly and secure the radio to the assembly using the screws supplied with the radio. (Figure B)

*Continue to final assembly.*



**1** Snap the Double DIN brackets to the outside edge of the Double DIN trim plate. (Figure A)

**2** Slide the stacked ISO units into the bracket/trim plate assembly and secure the units to the assembly using the screws supplied with the units. (Figure B)

*Continue to final assembly.*

