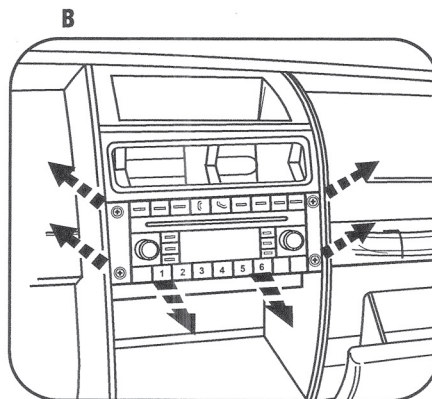
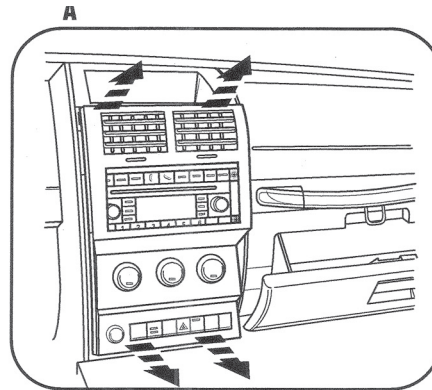


DODGE NITRO 2007-2008

- 1 Disconnect the negative battery terminal to prevent an accidental short circuit.
- 2 Unclip entire panel surrounding radio and climate controls, including a/c vents. Unplug and remove panel. (Figure A)
- 3 Remove (4) 7MM screws securing radio. Unplug and remove radio. (Figure B)

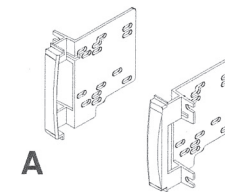


Chrysler Sebring 2007→2008
Dodge Avenger 2007→
Dodge Nitro



KIT COMPONENTS

A) Double DIN Brackets/Trim Plate



TOOLS REQUIRED:

Small Flat Blade Screwdriver/ Panel Removal Tool
• Phillips Screwdriver • Socket Set



Compatible with these Pioneer double DIN devices

Pioneer Navigation

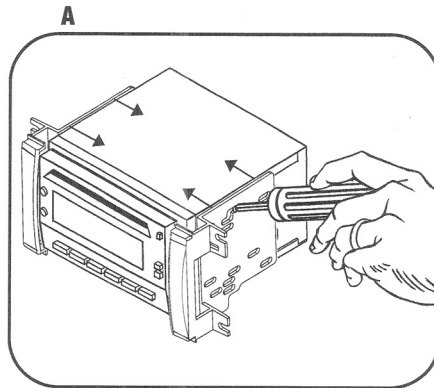
All installation work must be performed by a qualified professional installer only.
The manufacturer / dealer is not liable for any kind of incidental or indirect damages.

Installation Manual Double DIN Kit 281145-07

DOUBLE DIN RADIO PROVISION

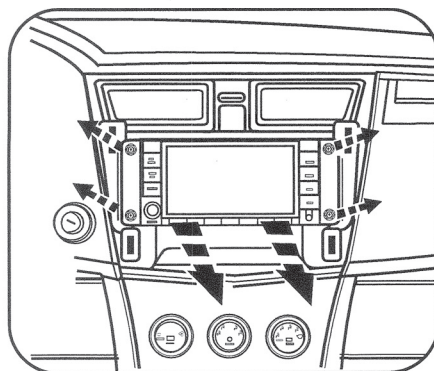
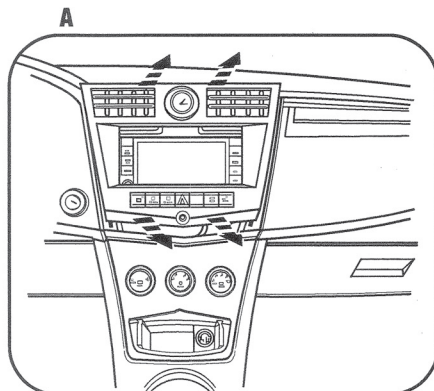
**Note: Refer also to the instructions included with the aftermarket radio.*

- 1 Attach the Double DIN brackets/trim plates to the Double DIN Radio using the screws supplied with the Radio. (Figure A)



CHRYSLER SEBRING 2007-08

- 1 Disconnect the negative battery terminal to prevent an accidental short circuit.
- 2 Unclip entire panel surrounding radio including a/c vents and clock. Unplug and remove panel. (Figure A)
- 3 Remove (4) 7MM screws securing radio. Unplug and remove radio. (Figure B)



DODGE AVENGER 2007-2008

- 1 Disconnect the negative battery terminal to prevent an accidental short circuit.
- 2 Unclip and remove the center console trim panel. (Figure A)
- 3 Unclip the center dash trim panel. (Figure B)
- 4 Remove (4) screws securing the radio. Disconnect and remove the radio. (Figure C)
- 5 Remove (3) screws securing the radio rear support bracket and remove the bracket. (Figure D)

