

AM / FM – DAB / DAB + ACTIVE SPLITTER PREMIUM

AM / FM - DAB / DAB +

FRONT

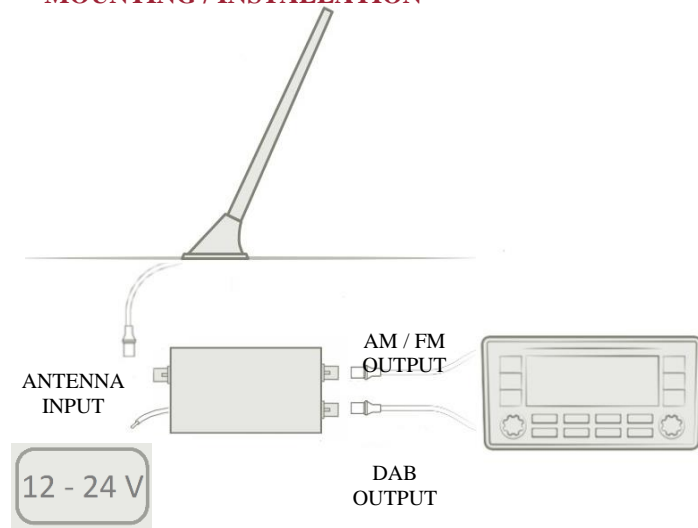
REVERSE

DAB SPLITTER PREMIUM'S HOUSING



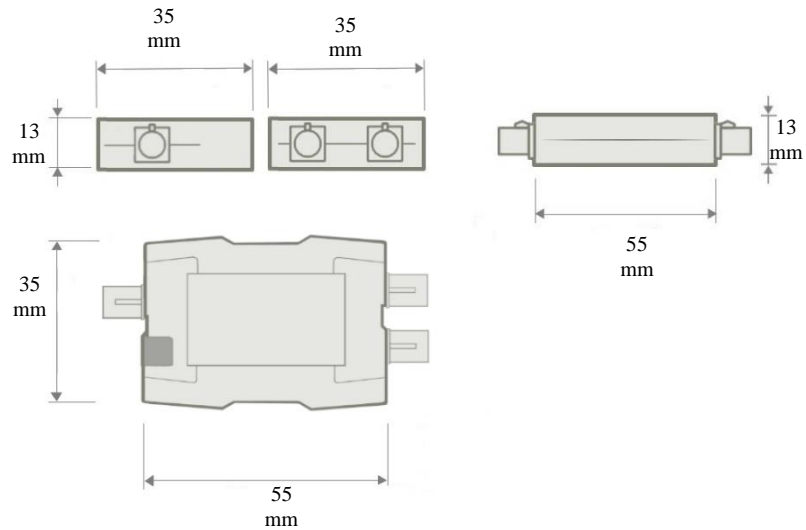
Active AM / FM / DAB splitter produced in compliance with OEM specifications that guarantees excellent separation of AM / FM and DAB signals. Suitable for connecting a digital radio receiver to passive AM / FM antenna with a rod for reception of DAB frequencies.

MOUNTING / INSTALLATION



SWITCHED POWER SOURCE

DIMENSIONS



TECHNICAL SPECIFICATION

| | |
|-----------------|--|
| Connectors | FAKRA MALE |
| Frequency | AM / FM: 0.8 – 110MHz DAB / DAB + (III BAND): 170 – 230 MHz BAND L: 1452 - 1492 MHz |
| Impedance | 50 Ω |
| Power Supply | From 12 to 24 Volt |
| Noise figure | AM / FM = 2 dB DAB / DAB + (III BAND and L BAND) = 2 dB |
| Included cables | 1x (F)DIN to (M)Fakra - 0.5m 1x (M)Fakra to (M)DIN - 0.5m 1x (M)Fakra to (M)SMB - 0.5m |

AM / FM – DAB / DAB + ACTIVE SPLITTER PREMIUM

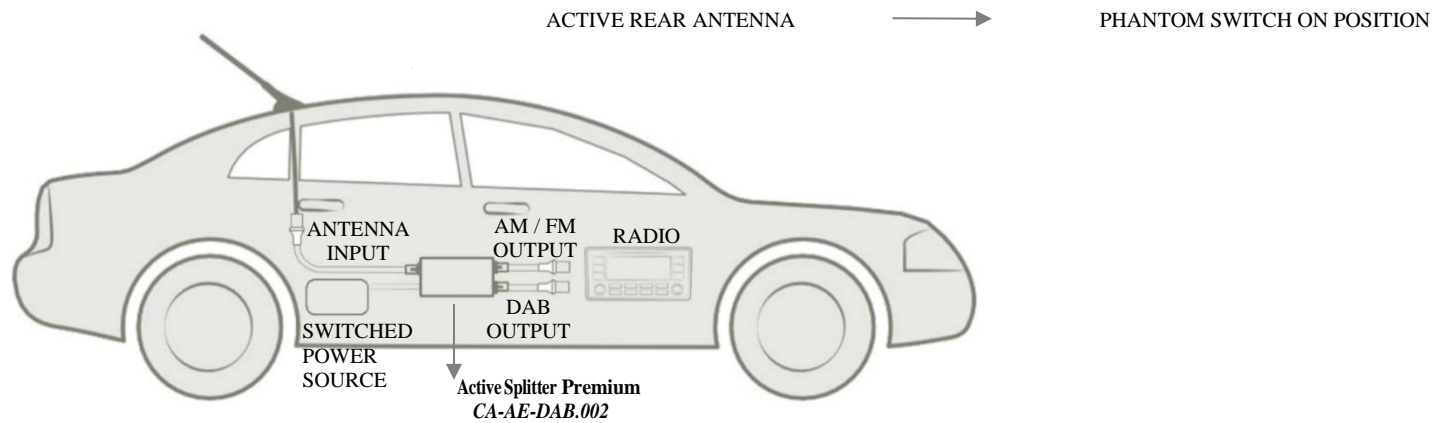
AM / FM - DAB / DAB +

POWER SOURCE

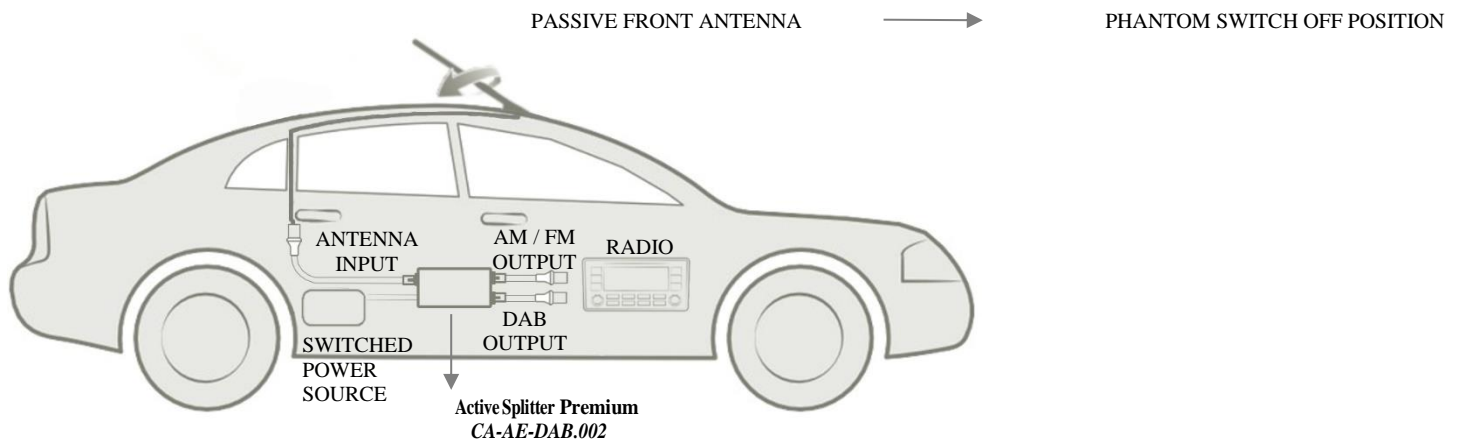


There is the possibility of powering the DAB SPLITTER PREMIUM from the outputs with the radio's PHANTOM power supply

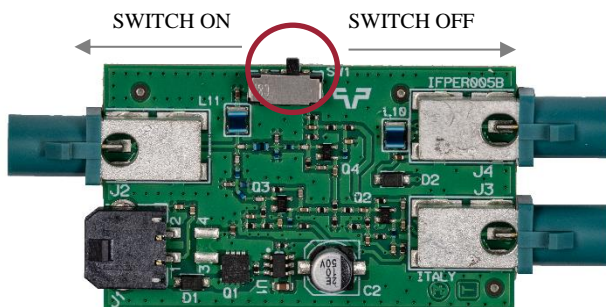
INSTALLATION SCHEME FOR VEHICLES WITH ACTIVE REAR ANTENNA



INSTALLATION SCHEME FOR VEHICLES WITH PASSIVE FRONT ANTENNA



PHANTOM ON / OFF



For active antennas a 12 V Phantom supply is provided
Phantom supply is provided with on / off Switch