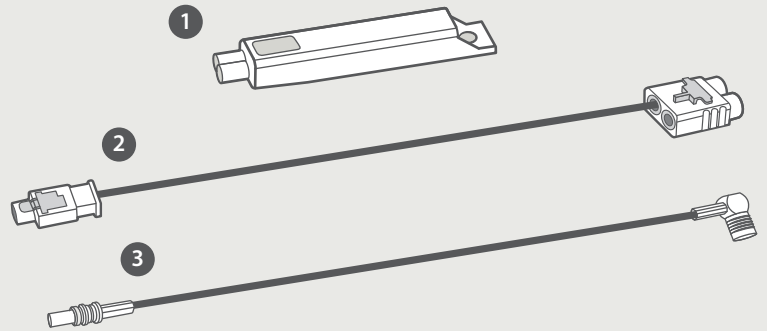
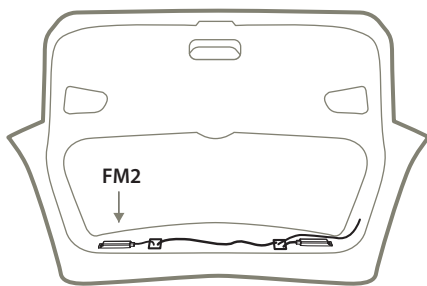


Content of the box:

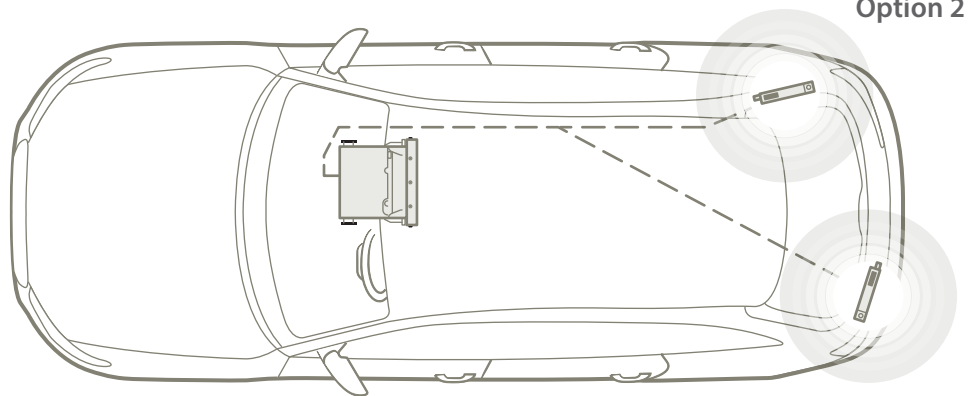
- ① FM/DAB amplifier
- ② Adapter cable (amplifier – OE cable)
- ③ DAB adapter cable (OE cable – Headunit)



OPT.1 & OPT.2 see compatibility list overleaf

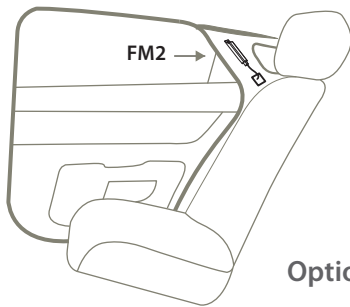


Option 1



Option 2

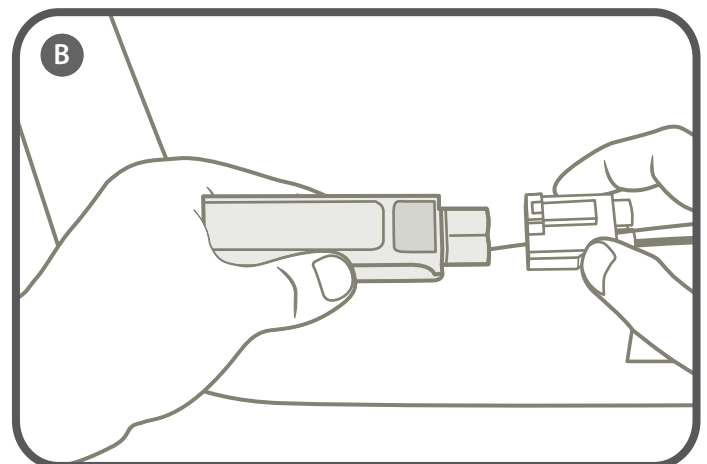
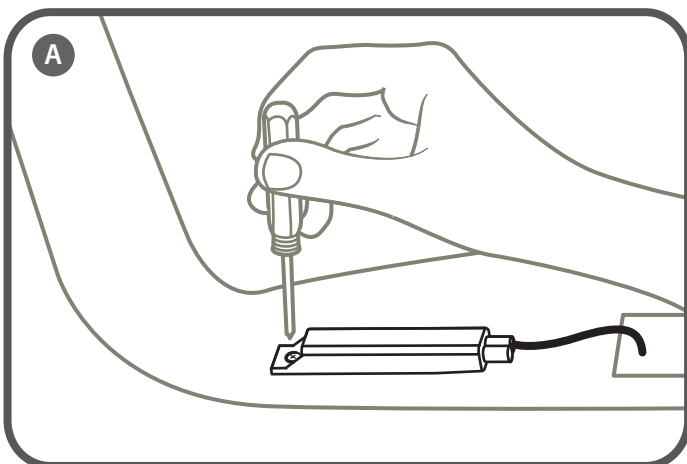
Option 1



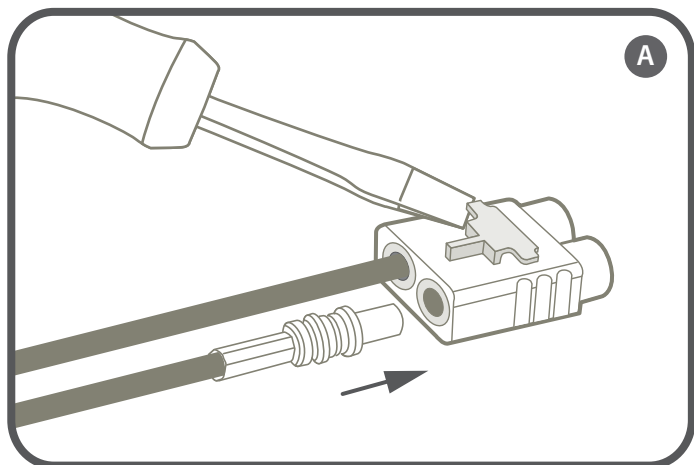
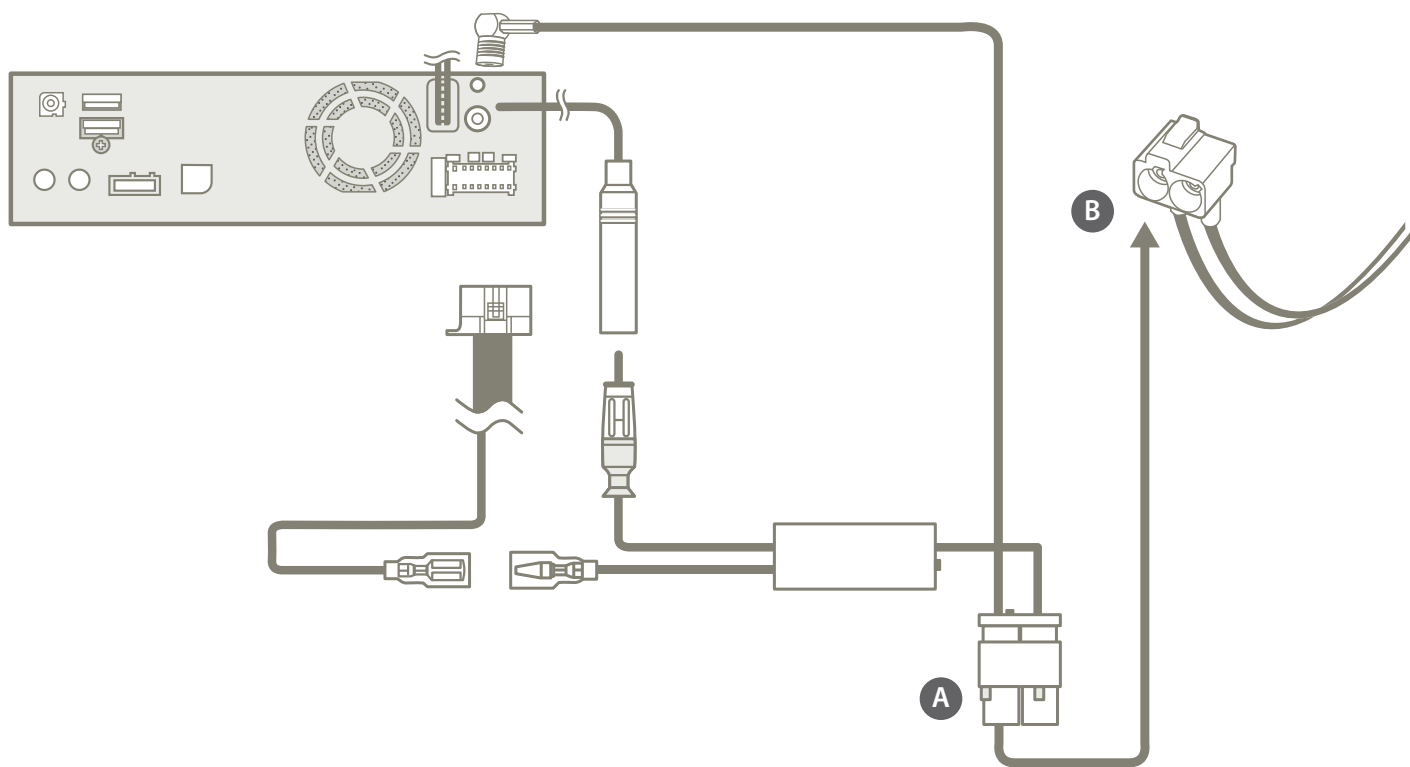
Option 2

- A** Remove the original FM2 amplifier which is located nearby the hatchback glass (*Option 1*) or nearby the quarter glass (*Option 2*).

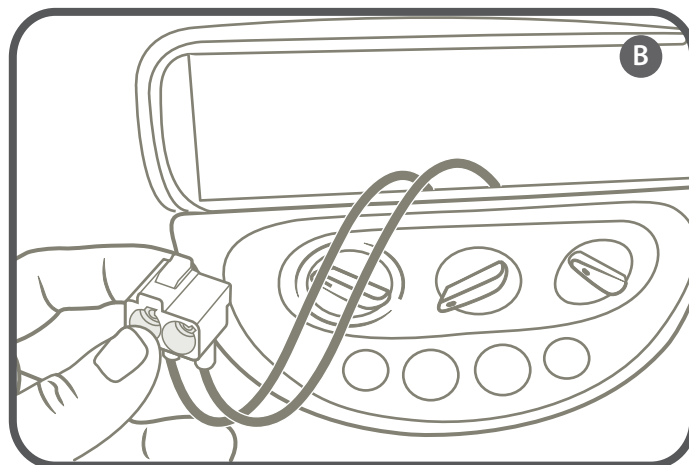
- B** Connect the supplied FM/DAB amplifier and secure it with the screw. Connect the amplifier to the adapter cable and the adapter cable to the OE cable.



CAR RADIO CONNECTIONS SCHEME



Remove the clip of the double Fakra housing to insert the DAB adapter cable and close the clip after that. Connect the DAB adapter cable to the radio.



Connect the Phantom Box to the antenna cable.

COMPATIBILITY LIST

Brand - Car model	Reference code of original amplifier to exchange	Indicative position of original amplifier
Skoda Octavia (5E) of 2013	5E5.035.577.A	Hatchback glass
Skoda Octavia Wagon (5E) from 2013	5E9.035.577.A	Quarter glass
VW Golf VII Berlina from 2013	5G6.035.577.A	Hatchback glass
VW Golf VII Variant from 2013	5G9.035.577.A	Hatchback glass