

CA-BC-UNI.002

The CA-BC-UNI.002 video interface is made to be used with a multiple camera setup. This kit allows multiple cameras to operate on a single video input monitor when the camera is activated.

Specifications

Working Voltage: +12v Working

Current: 30mA System: PAL / NTSC / SECAM

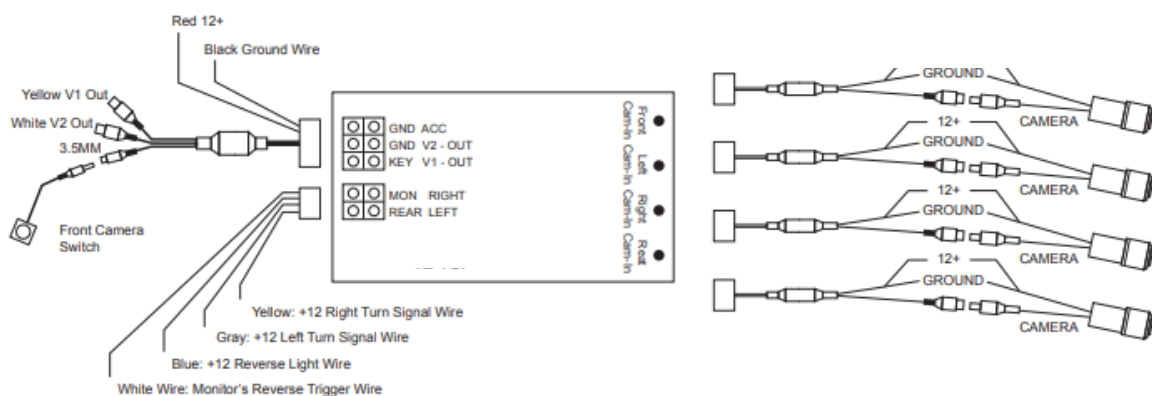
Video Output: 1.0 VPP / 75Ω

Working Temperature: -20° to +80°C

Installation

- 1) Connect the RED wire to the +12 volt accessory wire.
- 2) Connect the BLACK wire to a ground (a metal, non-painted surface).
- 3) Plug yellow RCA cable into video 1/2 output then plug the other end of the rca cable to the input of the video monitor.
- 4) Plug the video switch into the harness (3.5mm plug), this will turn on/off front video camera from being displayed.
- 5) Plug the 6 pin harness into the control box.
- 6) Connect the YELLOW wire to the +12 volt right turn signal wire.
- 7) Connect the GRAY wire to the +12 volt left turn signal wire.
- 8) Connect the BLUE wire to the +12 volt reverse light wire.
- 9) Connect the WHITE wire to the monitor's reverse trigger wire.
- 10) Plug the 4 pin harness into the control box.
- 11) Run the camera's video output and power to the camera harness and plug it in to the control harness box (make sure left camera in plugged into left input on the control box, right to right, etc....).

NOTE: The control box will supply power to the cameras as long as power is being supplied to the control box (extending power from control box might be needed, unless power to camera is locally used)



Distributed by **PIONEER EUROPE N.V.**

Keetberglaan 1 - Haven 1087

B-9120 Melsele, België

URL: PIONEER-CAR.EU