

## APPLICATIONS

# Audi A4 / S4 2002-2008 (With Symphony Radio)

## CA-HM-AUD.001

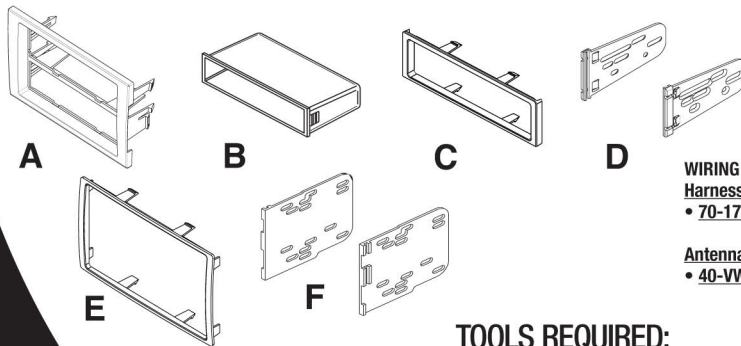
### KIT FEATURES

- DIN Head Unit Provision with Pocket
- ISO DIN Head Unit Provision with Pocket
- Double DIN Head Unit Provision
- Painted Matte Black to Match Factory



### KIT COMPONENTS

- A) Radio Housing
- B) Pocket
- C) Trim Plate
- D) ISO Brackets
- E) Double DIN Trim Plate
- F) Double DIN Brackets



#### WIRING AND ANTENNA CONNECTIONS (Sold Separately)

##### Harness:

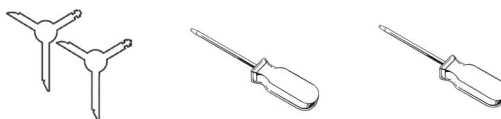
- 70-1787 - VW / Audi Harness 1993-up

##### Antenna Adapter:

- 40-VW10 - Euro Antenna Adapter 1986-up

### TOOLS REQUIRED:

- (2) 86-9001 Head Unit Removal Tools
- Small Flat Blade Screwdriver
- Phillips Screwdriver



# **TABLE OF CONTENTS**

## **Dash Disassembly**

**- Audi A4 / S4 2002-2008 w/Symphony Radio ..... 1**

## **Kit Assembly**

**- DIN Head Unit Provision with Pocket ..... 2**

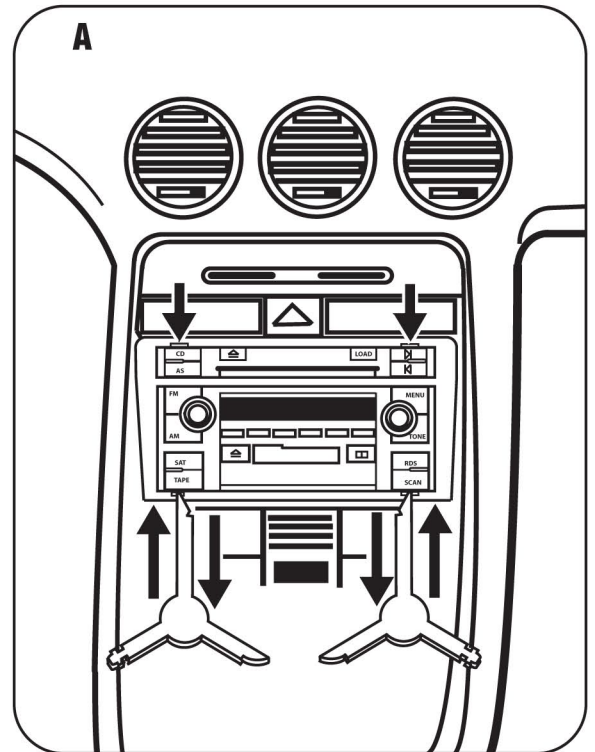
**- ISO DIN Head Unit Provision with Pocket ..... 3**

**- Double DIN Head Unit Provision ..... 4**

**Final Assembly ..... 5**

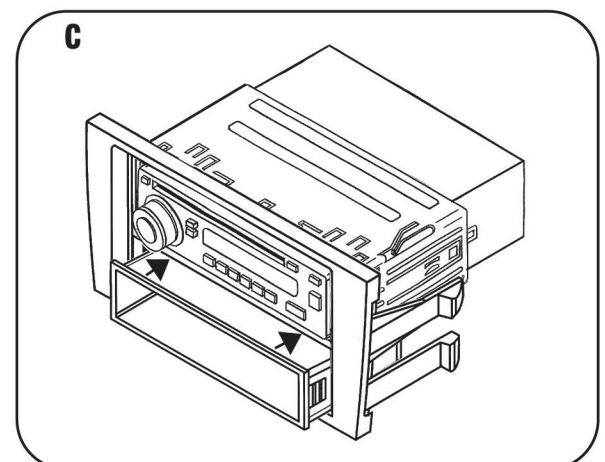
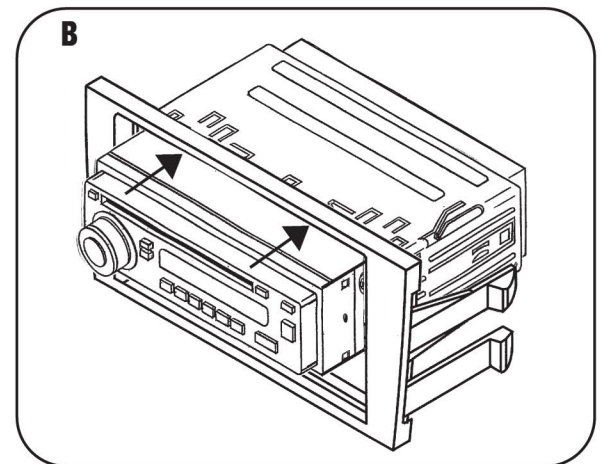
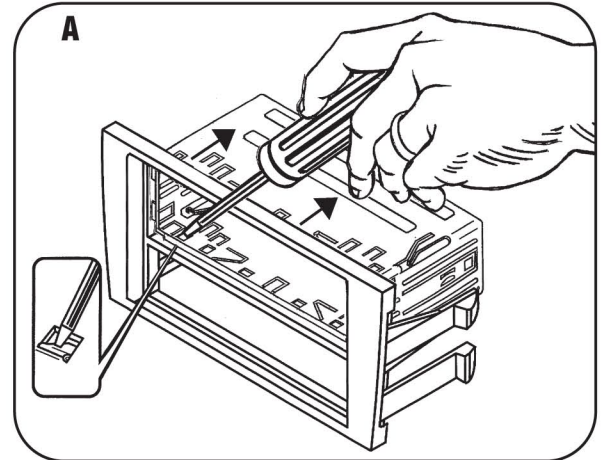
## **AUDI A4 / S4 2002-2008 W/SYMPHONY RADIO**

- 1** Disconnect the negative battery terminal to prevent an accidental short circuit.
- 2** Insert release keys into the slots in the factory head unit and pull the head unit out (Figure A)
- 3** Disconnect the wiring.



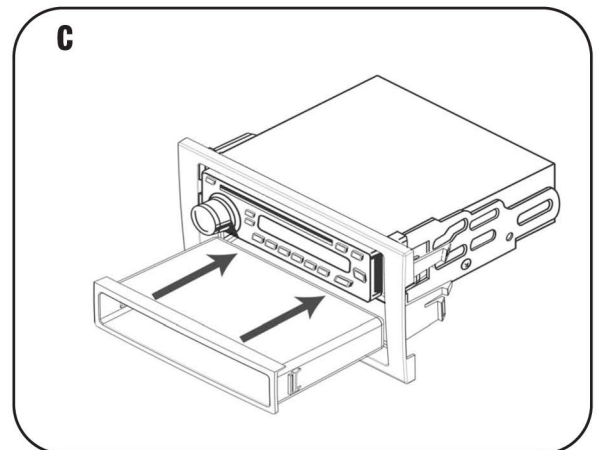
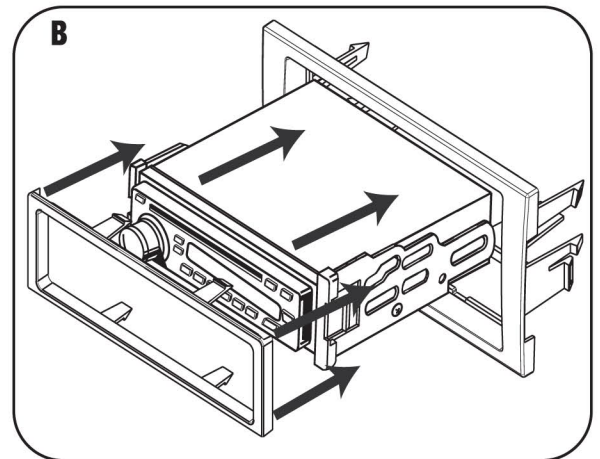
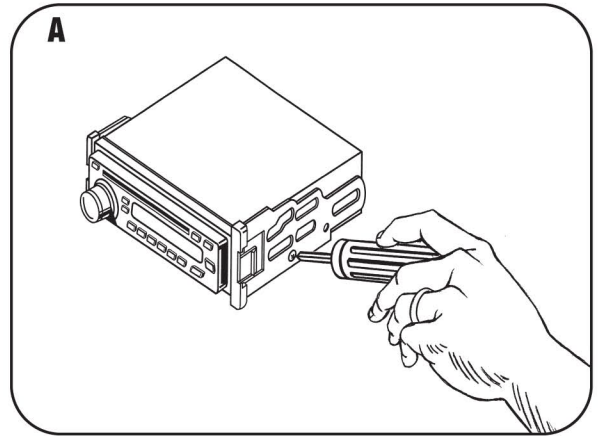
## DIN HEAD UNIT PROVISION WITH POCKET

- 1 Snap the DIN cage into the Radio Housing and secure by bending the metal locking tabs down. (Figure A)
- 2 Locate the factory wiring harness in the dash and connect the relevant harness adapter
- 3 Snap radio assembly into factory radio opening.
- 4 Slide the aftermarket radio into the cage and secure. (Figure B)
- 5 Snap the pocket into the Radio Housing until secure. (Figure C)



## ISO DIN HEAD UNIT PROVISION

- 1** Mount the ISO Brackets to the head unit with the screws supplied with the unit. (Figure A)
- 2** Slide the head unit into the radio opening until the slide clips engage. (Figure B)
- 3** Snap the ISO Trim Plate into the Radio Housing. (Figure B)
- 4** Snap the pocket into the Radio Housing. (Figure C)
- 5** Locate the factory wiring harness in the dash. Connect the relevant wiring harness adapter.
- 6** Snap the radio assembly into the factory radio opening.



## DOUBLE DIN HEAD UNIT PROVISION

- 1 Cut and remove center divider from radio housing. (Figure A)
- 2 Snap the DDIN brackets to the inside edge of the radio housing. (Figure B)
- 3 Slide the DDIN radio unit into the DDIN bracket/radio housing assembly and secure the unit to the kit using the screws supplied with the head unit. (Figure C)
- 4 Snap the DDIN trim-plate onto the housing/radio assembly. (Figure C)
- 5 Locate the factory wiring harness and connect the relevant wiring harness adapter
- 6 Snap radio assembly into factory radio opening.

