

APPLICATIONS
BMW X5
2000 - 2006

CA-HM-BMW.005

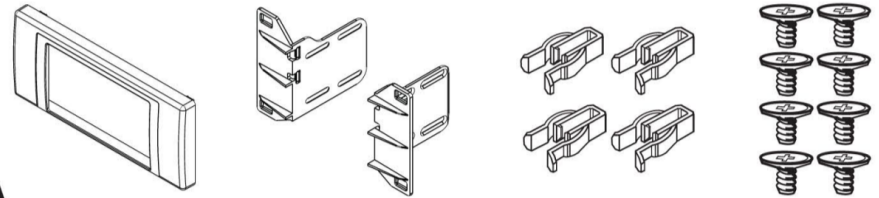
KIT FEATURES

- DDIN Head Unit Provision
- ISO Stacked Head Unit Provision
- Painted Scratch Resistant Matte Black



KIT COMPONENTS

- DDIN Radio Trim Plate
- DDIN Brackets
- (4) Plastic Snaps
- (8) Flush ISO Screws



TOOLS REQUIRED

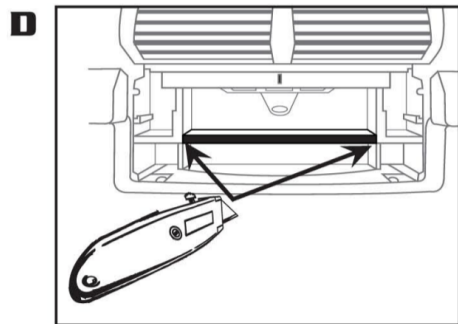
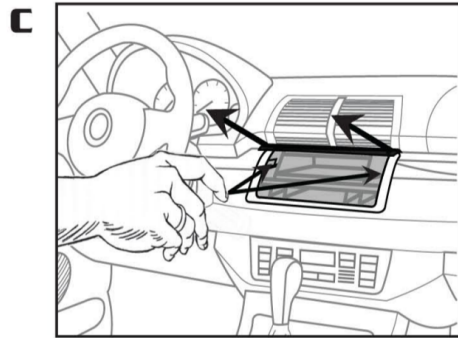
- Phillips Screwdriver
- Torx Screwdriver
- Panel Removal Tool
- Small Flat Blade Screwdriver
- Cutting Tool or File



BMW X5 2000-2006

.....Continued from Pg. 1

- 8** With the factory radio door open, press in on the tabs at either side and remove the door. (Fig. C)
- 9** Cut and remove shown section from the sub dash. (Fig. D)



Continue to Kit Assembly

BMW X5 2000-2006

- 1** Mount the DDIN radio to the supplied DDIN brackets using the ISO screws supplied with the aftermarket radio (screws must be flush). (Fig. A)
- 2** Locate the factory wiring harness in the dash. Connect the relevant wiring harness adapter.
- 3** Snap the radio bracket assembly into the dash opening (tight fit). (Fig. B)
- 4** Snap the DDIN trim plate over the radio (be sure to align the snaps with the holes in the brackets or it won't seat properly). (Fig. B)

