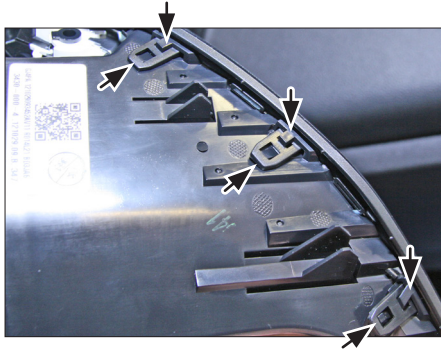
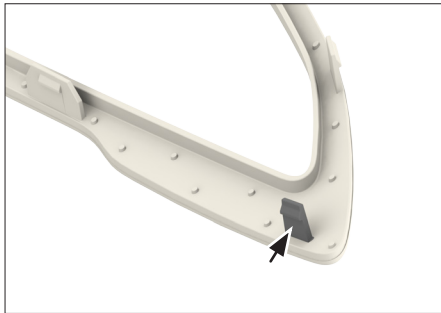


## Installation Manual Double DIN Kit



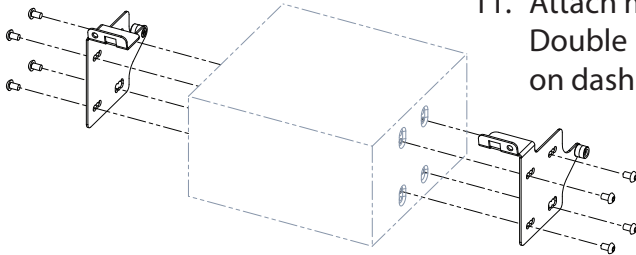
9. Remove air vents carefully (double clipped /see arrows) and air vent trim frames from OEM panel.



10. cut away a pin on the rear side of the trim frame (see arrow)

(Note: Does not apply for SONY OEM head units!)

Attach air vents and air vents trim frame to new facia plate



11. Attach mounting brackets to Double DIN head unit and fix it on dash board



12. A new hazard light switch by Ford is required: part-no.: 1519127  
Attach hazard light switch to new facia plate

Connect all required circuit points  
Reinstall everything in reverse order to finish installation

**Pioneer**

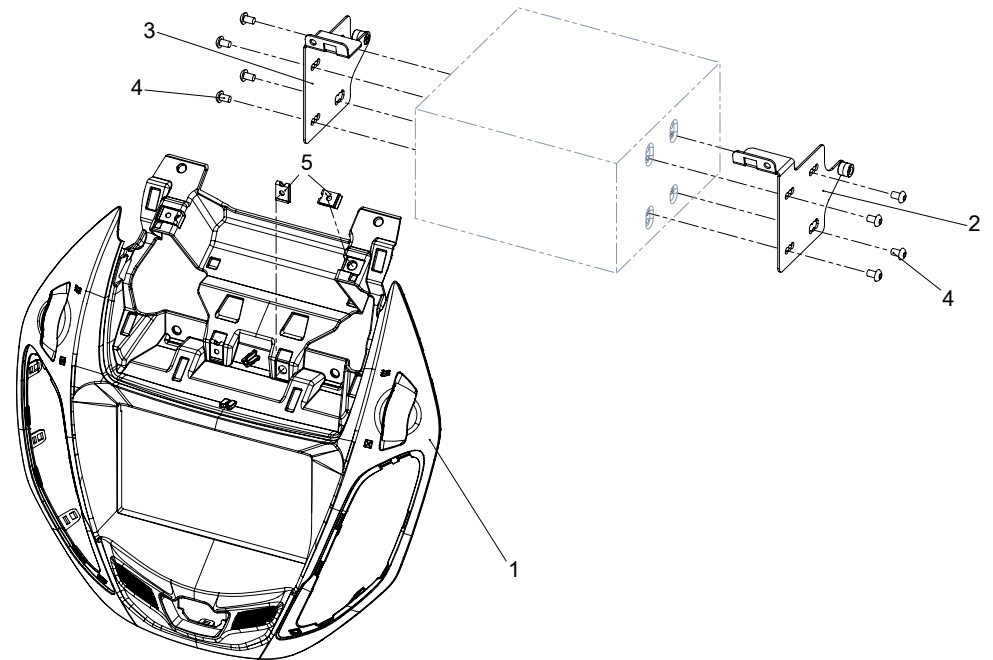
Installation Manual  
Double DIN Kit

nestor silver: CA-HM-FOR.006LG  
piano black: CA-HM-FOR.006BP

## • Ford B-MAX (JK8) 06/2012->

Compatible with these double DIN devices

### Double DIN Navigation



#### Double DIN Kit contents

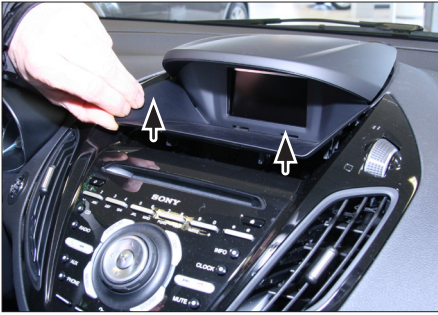
- (1) Facia Plate
- (2) Mounting Bracket Right
- (3) Mounting Bracket Left
- (4) Flat Headed Screw
- (5) speed nut

A new hazard light switch by Ford is required: part-no.: 1519127

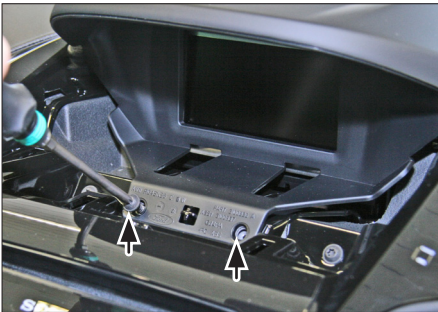


All installation work must be performed by a qualified professional installer only.  
The manufacturer / dealer is not liable for any kind of incidental or indirect damages.

## Installation Manual Double DIN Kit



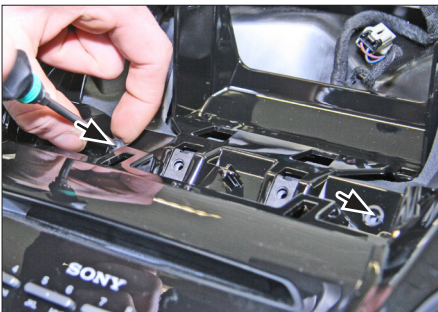
1. Unclip and remove panel on top of B-MAX dashboard (see arrows)



2. Remove screws of display panel (see arrows)  
Remove display cover



3. Remove two TX20 screws of display  
Remove display



4. Remove 2 screws of center console

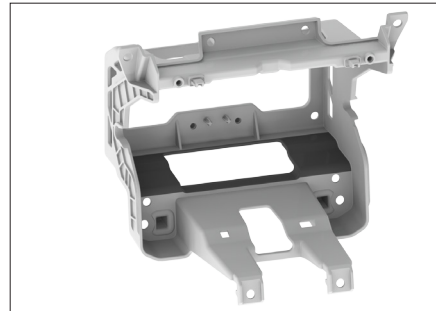
## Installation Manual Double DIN Kit



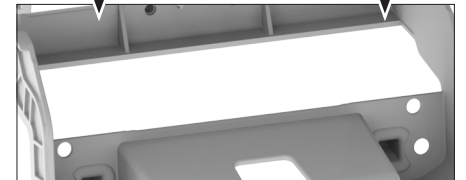
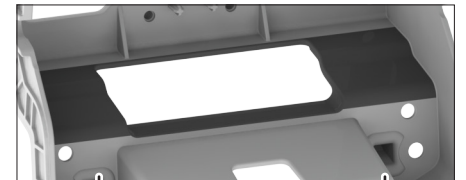
5. Unclip and remove center console



6. Remove inner plastic frame from dashboard



7. Cut away plastic in order to clear space for Double DIN head unit



8. After cutting reinstall plastic frame into dashboard

