



INSTALLATION INSTRUCTIONS FOR PART 99-7352B



KNOWLEDGE IS POWER Enhance your installation and fabrication skills by enrolling in the most recognized and respected mobile electronics school in our industry. Log onto www.installerinstitute.com or call 800-354-8702 for more information and take steps toward a better tomorrow.



Metra recommends MECP certified technicians

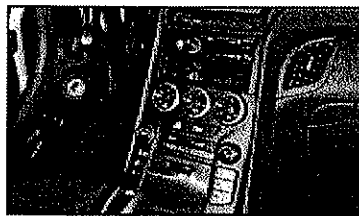
METRA. The World's best kits.™ 1-800-221-0932 metraonline.com © COPYRIGHT 2004-2011 METRA ELECTRONICS CORPORATION



INSTALLATION INSTRUCTIONS FOR PART 99-7352B

APPLICATIONS

Hyundai Genesis Coupe 2013-up 99-7352B

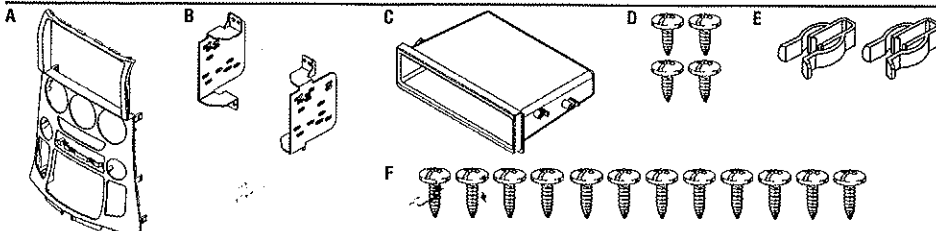


KIT FEATURES

- ISO radio provision with pocket
• Painted Matte Black

KIT COMPONENTS

- A) Radio Panel • B) Radio Brackets • C) Pocket • D) (4) #8 x 3/8" Phillips screws
• E) (2) PC-7871 Panel Clips • F) (12) #8 x 1/2" Phillips screws



WIRING & ANTENNA CONNECTIONS (sold separately)

- Wiring Harness: • 70-7304 Kia/Hyundai harness 2010-up • HYBL-04 Bluelink/Amp Interface
Antenna Adapter: • No antenna adapter required

Table of Contents

Dash Disassembly
- Hyundai Genesis 2013-up ..... 2
Kit Assembly
- ISO radio provision with pocket ..... 3

TOOLS REQUIRED

- Phillips Screwdriver • Small Flat Blade Screwdriver
• Panel Removal tool

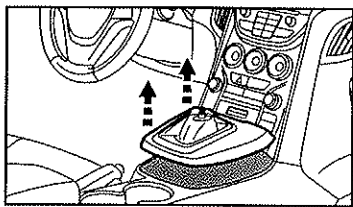
CAUTION: Metra recommends disconnecting the negative battery terminal before beginning any installation. All accessories, switches, and especially air bag indicator lights must be plugged in before reconnecting the battery or cycling the ignition.

NOTE: Refer to the instructions included with the aftermarket radio.

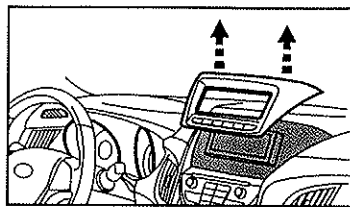
METRA. The World's best kits.™ 1-800-221-0932 metraonline.com © COPYRIGHT 2004-2011 METRA ELECTRONICS CORPORATION

## Dash Disassembly

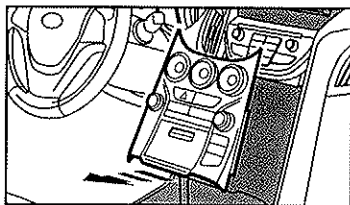
1. Unclip and remove the shifter trim panel. (Figure A)
2. Unclip and remove the display trim panel above radio. (Figure B)
3. Unclip and remove the radio/climate control trim panel. (Figure C)
4. Remove (4) Phillips screws securing the radio. (Figure D)



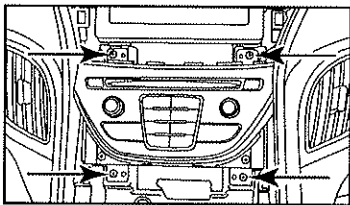
(Figure A)



(Figure B)



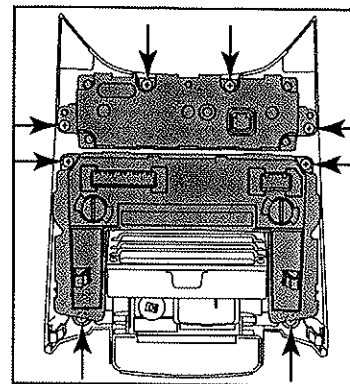
(Figure C)



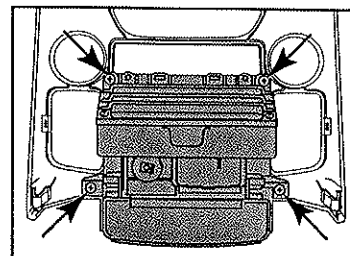
(Figure D)

5. Remove (4) Phillips screws securing the factory gauges to the radio/climate control panel. (Figure E)
6. Remove (4) Phillips screws securing the climate control to the radio/climate control panel. (Figure E)
7. Remove (4) Phillips screws securing the pocket assembly to the radio/climate control panel. (Figure F)

*Continue to kit preparation*



(Figure E)

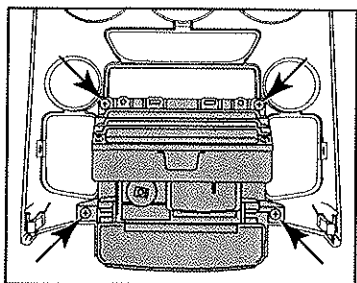


(Figure F)

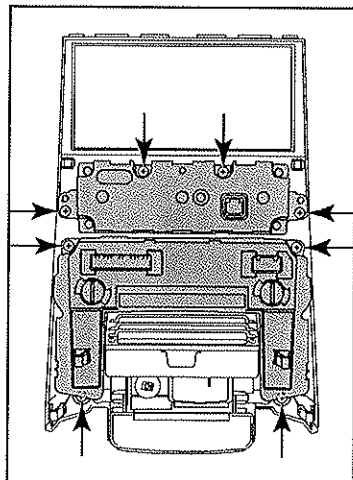
## Kit Preparation

1. Attach the pocket assembly to the 99-7352B radio panel using the (4) #8 x 1/2" Phillips screws provided. (Figure A)
2. Attach the climate control to the 99-7352B radio panel using (4) #8 x 1/2" Phillips screws provided. (Figure B)
3. Attach the factory gauges to the 99-7352B radio panel using (4) #8 x 1/2" Phillips screws provided. (Figure B)
4. Attach the provided (2) panel clips to the upper legs and the (2) factory clips to the lower legs of the 99-7352B radio panel. (Figure B)

*Continue to kit assembly*



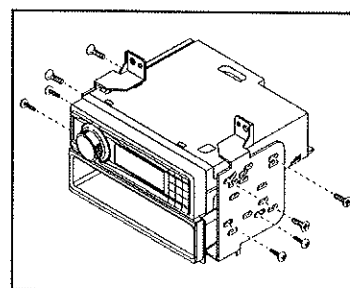
(Figure A)



(Figure B)

## Kit Assembly

1. Locate the factory wiring harness in the dash. Metra recommends using the proper mating adapter from Metra or AXCESS. Re-connect the negative battery terminal and test the unit for proper operation.
2. Attach the radio brackets to the aftermarket radio using the screws supplied with the radio, then secure the assembly to the pocket using the (4) #8 x 3/8" Phillips screws. (Figure A)
3. Mount the assembly into the sub-dash.
4. Reassemble dash in reverse order of disassembly using the 99-7352B trim panel instead of the factory trim panel.



(Figure A)