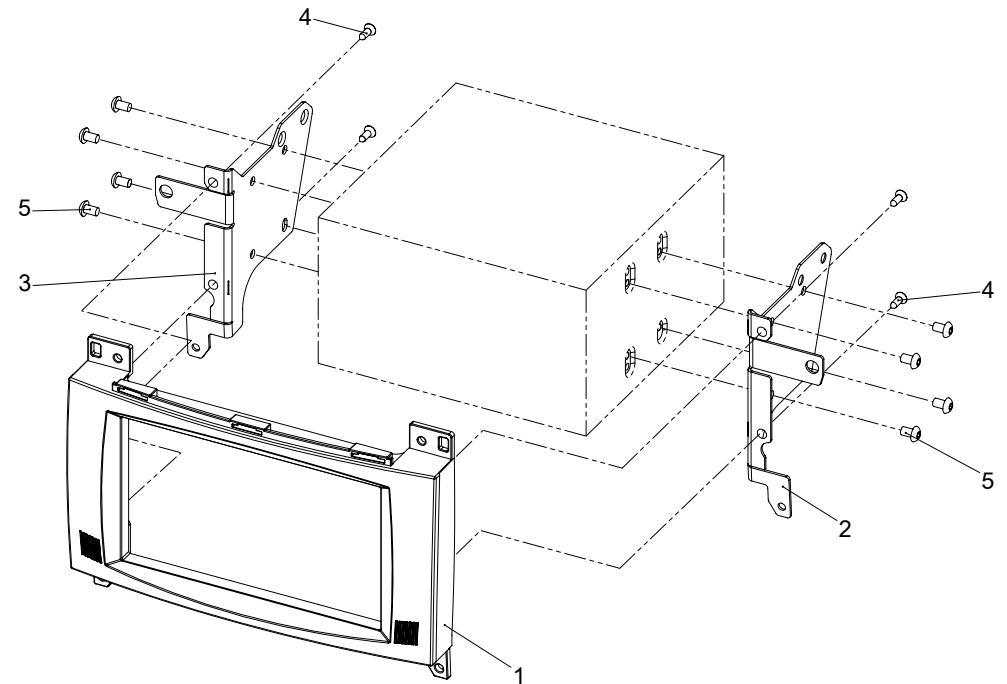


• **Mercedes Viano / Vito (W639)**

Compatible with these Pioneer double DIN devices

Pioneer Navigation



Double DIN Set contents

- (1) fascia plate
- (2) mounting bracket right
- (3) mounting bracket left
- (4) countersunk flat head tapping screw
- (5) flat headed screw

Mercedes Viano / Vito (W639)

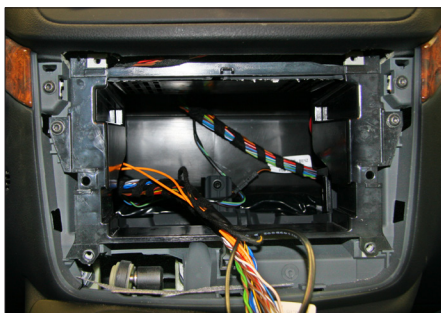


1. Vehicle with OEM head unit.

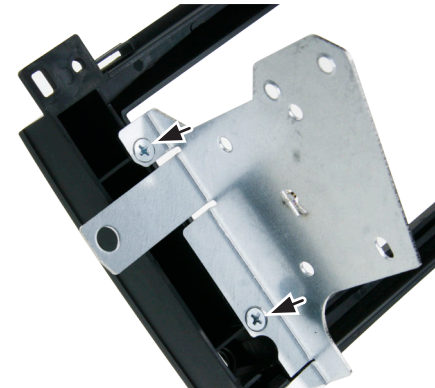
Remove the trim panel surrounding the radio.



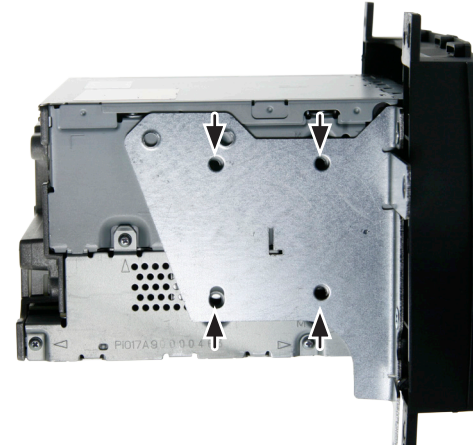
2. Remove the four screws at the top and bottom of OEM head unit.



3. Remove the OEM head unit.



4. Fix mounting bracket left and mounting bracket right to fascia plate with countersunk flat head tapping screws (see arrows)



5. Push fascia plate over Pioneer Double-DIN head unit

Fix it with flat headed screws (see arrows)



6. Connect all required circuit points

Place Double-DIN head unit on dashboard. Fix it with original screws