

5. Connect all required circuit points

Place double DIN head unit on dash board

Secure head unit to dash board

Reinstall everything in reverse order to finish installation



Pioneer

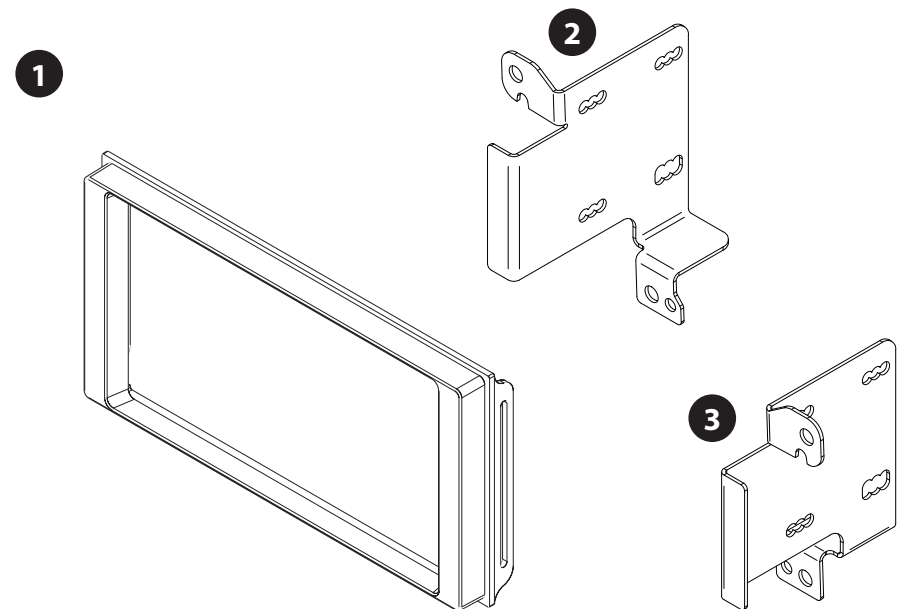
Installation Manual Double DIN Kit

Part-No.: CA-HM-SUB.002

• Subaru XV 2012->

Compatible with these Double-DIN devices:

Pioneer Navigation

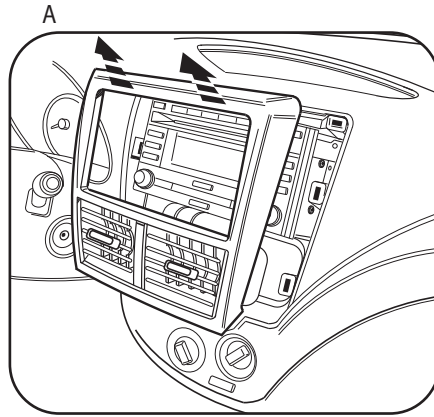


Double DIN Set contents

- (1) Facia Plate
- (2) Mounting bracket (L)
- (3) Mounting bracket (R)

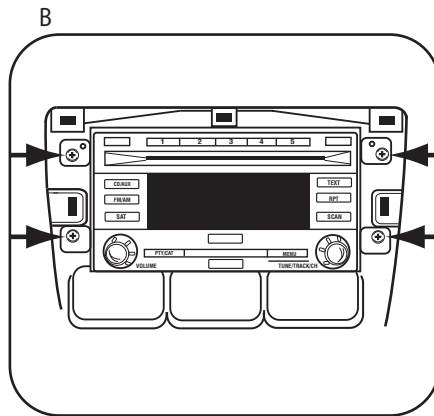
Installation Manual Double DIN Kit

1. Unclip and remove trim panel surrounding the OEM radio including the a/c vents (Fig. A)

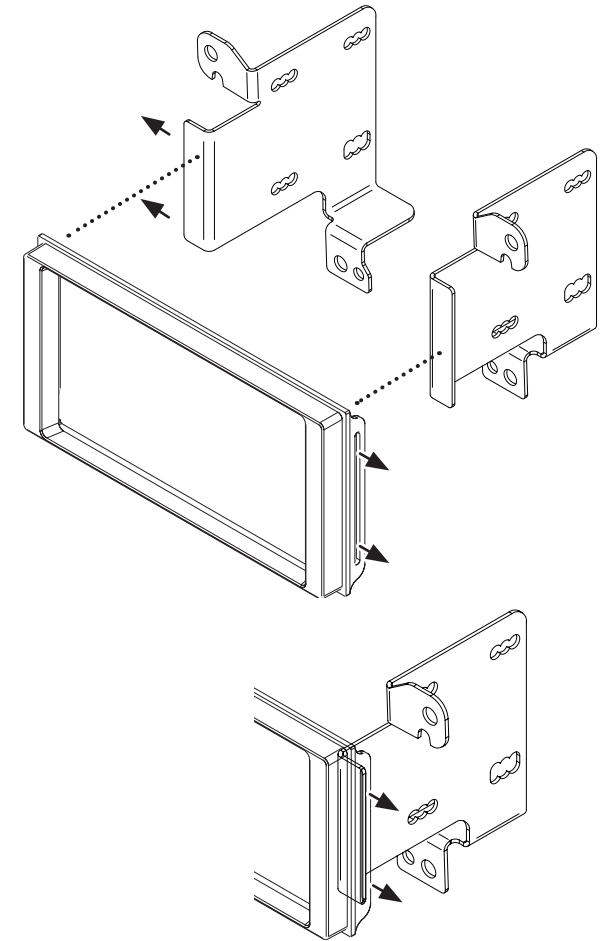


2. Remove 4 Phillips screws securing the radio.

Unplug and remove the radio (Fig. B)



3. Snap the double DIN brackets to the inside edge of the fascia plate



4. Slide double DIN head unit into the brackets/facia plate and secure to the assembly with screws

Use this position (see arrows)

