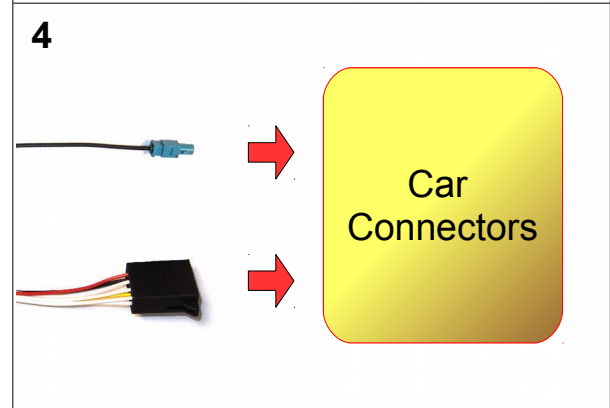
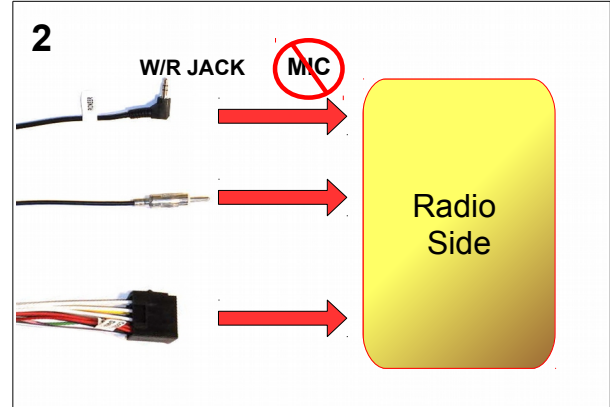
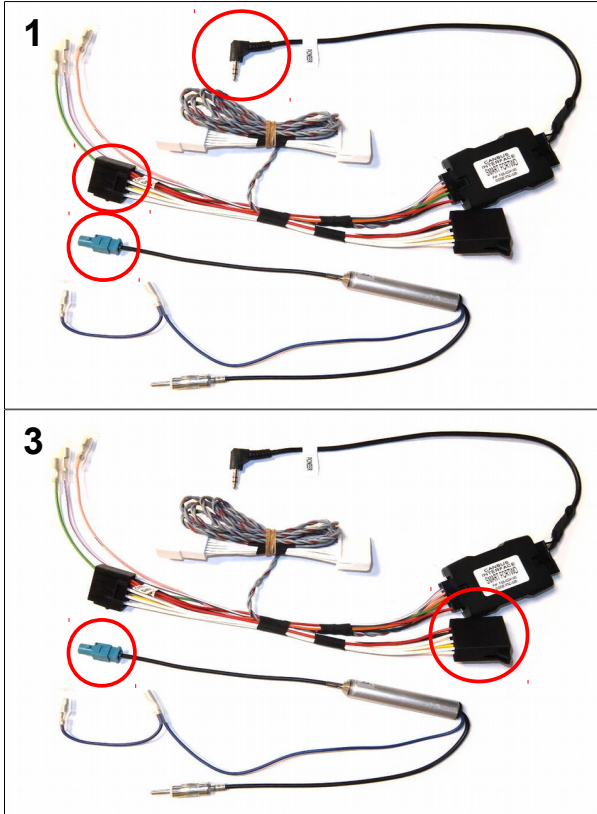


Smart ForTwo 2015-> – SWC Interface

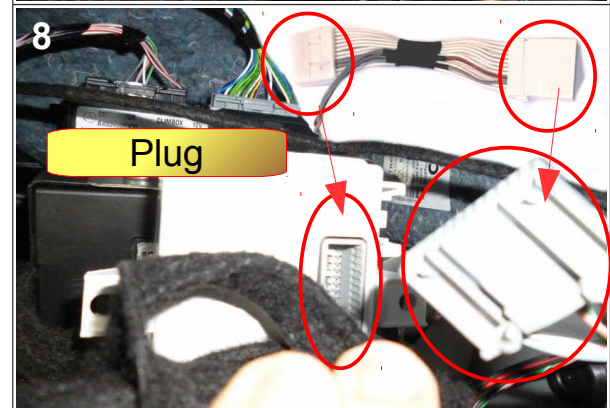
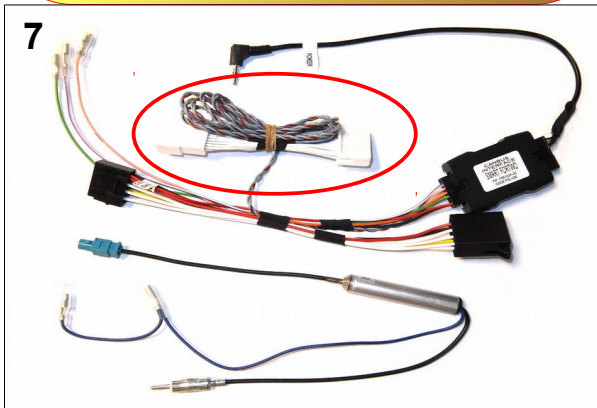


In order to prevent ESD damage, the W/R Jack must be connected before plugging the connectors on car side

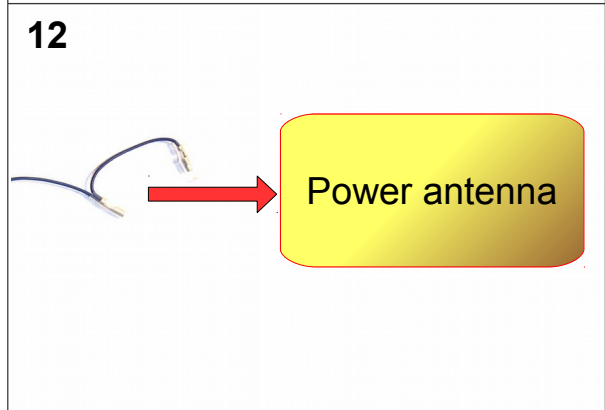
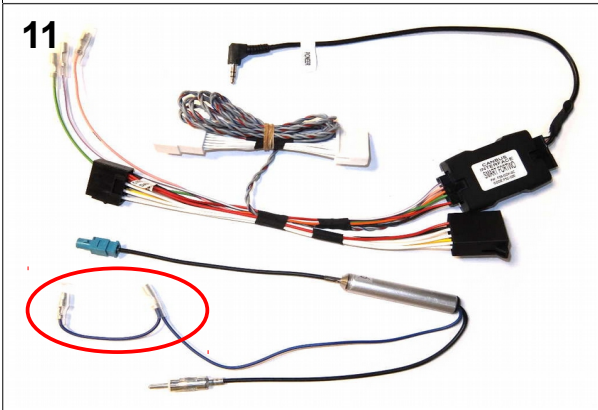
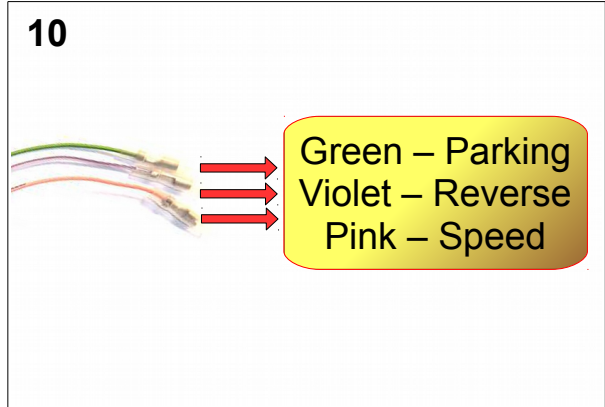
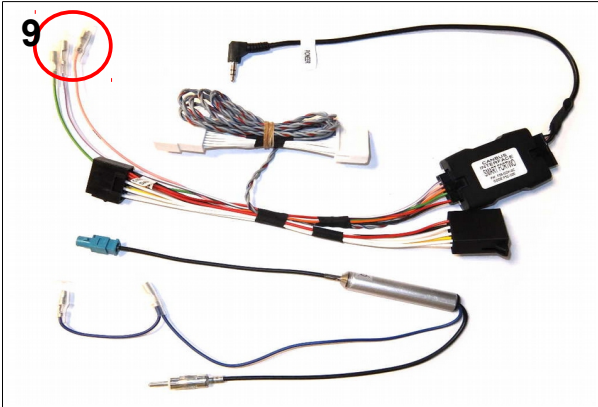


5

Consider the interface in the next picture. You can find it under the glove box looking upward from the car floor.



Installation must be performed by a qualified professional installer only. The manufacturer is not liable for any kind of incidental or indirect damages.
05/2015 - All rights reserved. No liability for misprints.



Installation must be performed by a qualified professional installer only. The manufacturer is not liable for any kind of incidental or indirect damages.
05/2015 - All rights reserved. No liability for misprints.

Pioneer