

# Pioneer

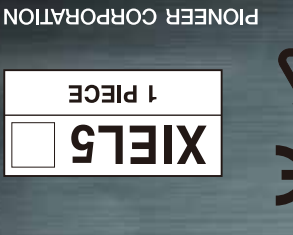
## TS-W261D4

### COMPONENT SUBWOOFER

- MAX. MUSIC POWER 1200 W
- NOMINAL POWER 350 W
- SPEAKER SIZE Ø25 cm
- IMPEDANCE 2 OHMS OR 8 OHMS (4 OHM DVC)
- SENSIBILITY 93 dB ±1.5 dB (IN CAR INPUT, 1 W)
- FREQUENCY RESPONSE 20 Hz TO 125 Hz
- T-20 DB IN CAR INPUT (1 W)
- GROSS WEIGHT 5,27 kg
- ENCLOSURE USE 18.4 LITERS TO 35.4 LITERS



- 1200w MAX
- 25cm
- DUAL 4Ω



**18.4 LITERS / 5.27 KG**

**1200 W MAX**

**25 cm**

**DUAL 4 Ω**

**ENCLOSURE USE 18.4 LITERS TO 35.4 LITERS**

**● MAX. MUSIC POWER 1200 W**

**● NOMINAL POWER 350 W**

**● SPEAKER SIZE Ø25 cm**

**● IMPEDANCE 2 OHMS OR 8 OHMS (4 OHM DVC)**

**● SENSIBILITY 93 dB ±1.5 dB (IN CAR INPUT, 1 W)**

**● FREQUENCY RESPONSE 20 Hz TO 125 Hz**

**● T-20 DB IN CAR INPUT (1 W)**

**● GROSS WEIGHT 5,27 kg**

**● ENCLOSURE USE 18.4 LITERS TO 35.4 LITERS**

**REAR VIEW**

1. The rear view of the product shows the four mounting holes, which are used for securing the product into the car enclosure. The distance between the mounting holes is 180 mm (7.09 inches).

2. The rear view of the product shows the four terminals, which are used for connecting the product to the car stereo. The terminals are labeled 1, 2, 3, and 4.

3. The rear view of the product shows the four screws, which are used for securing the product into the car enclosure.

4. The rear view of the product shows the four nuts, which are used for securing the product into the car enclosure.

5. The rear view of the product shows the four washers, which are used for securing the product into the car enclosure.

6. The rear view of the product shows the four spacers, which are used for securing the product into the car enclosure.

7. The rear view of the product shows the four rubber feet, which are used for securing the product into the car enclosure.

8. The rear view of the product shows the four gaskets, which are used for securing the product into the car enclosure.

9. The rear view of the product shows the four seals, which are used for securing the product into the car enclosure.

10. The rear view of the product shows the four O-rings, which are used for securing the product into the car enclosure.

# Pioneer

## TS-W261D4

### COMPONENT SUBWOOFER

#### КОМПОНЕНТНЫЙ САБВУФЕР

- 1200w MAX
- 25cm
- DUAL 4Ω



- 1200w MAX
- 25cm
- DUAL 4Ω



# Pioneer

## 1200w MAX

### 25cm

### DUAL 4Ω

## 1200w MAX

### 25cm

### DUAL 4Ω

## TS-W261D4

### COMPONENT SUBWOOFER / HP D'EXTREME-GRAVE

### SUBWOOFER / SUBWOOFER

### SUBWOOFER PARA EQUIPAMENTO

### КОМПОНЕНТНЫЙ САБВУФЕР

ENCLOSURE USE 18.4 liters TO 35.4 liters/ POUR CAISSON 18.4 litres À 35.4 litres

# Pioneer

## TS-W261D4

### HP D'EXTREME-GRAVE



- 1200w MAX
- 25cm
- DUAL 4Ω



# Pioneer

## 1200w MAX

### 25cm

### DUAL 4Ω

## 1200w MAX

### 25cm

### DUAL 4Ω

## TS-W261D4

### HP D'EXTREME-GRAVE

- PUISSANCE MUSICALE MAXIMUM 1200 W
- PUISSANCE NOMINALE 350 W
- TAILLE DE HAUT-PARLEUR Ø25 cm
- IMPEDANCE 2 OHMS OU 8 OHMS (4 OHM DVC)
- SENSIBILITE 93 dB ±1.5 dB (DANS LA VOITURE, ENTREE : 1 W)
- BANDE PASSANTE 20 Hz À 125 Hz
- T-20 DB DANS LA VOITURE, ENTREE : 1 W)
- POIDS BRUT 5,27 kg

POUR CAISSON 18.4 litres À 35.4 litres

**18.4 LITERS / 5.27 KG**

**1200 W MAX**

**25 cm**

**DUAL 4 Ω**

**ENCLOSURE USE 18.4 LITERS TO 35.4 LITERS**

**● MAX. MUSIC POWER 1200 W**

**● NOMINAL POWER 350 W**

**● SPEAKER SIZE Ø25 cm**

**● IMPEDANCE 2 OHMS OR 8 OHMS (4 OHM DVC)**

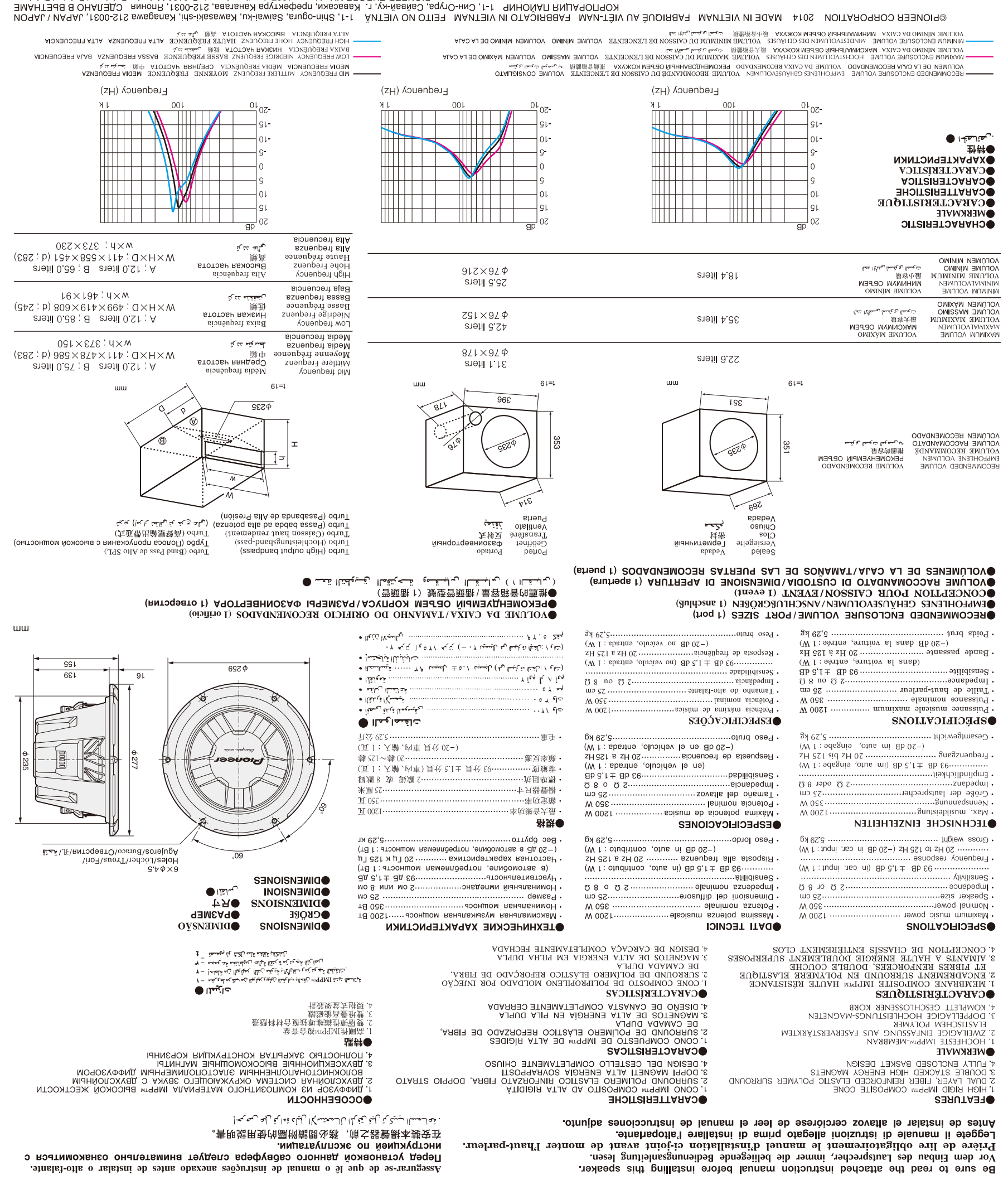
**● SENSIBILITY 93 dB ±1.5 dB (IN CAR INPUT, 1 W)**

**● FREQUENCY RESPONSE 20 Hz TO 125 Hz**

**● T-20 DB IN CAR INPUT (1 W)**

**● GROSS WEIGHT 5,27 kg**

**● ENCLOSURE USE 18.4 LITERS TO 35.4 LITERS**



## TS-W261D4

### 25cm COMPONENT SUBWOOFER

1200w MAX

HP D'EXTREME-GRAVE 25 cm

PIRELLA GÖTTSCHE LOWE