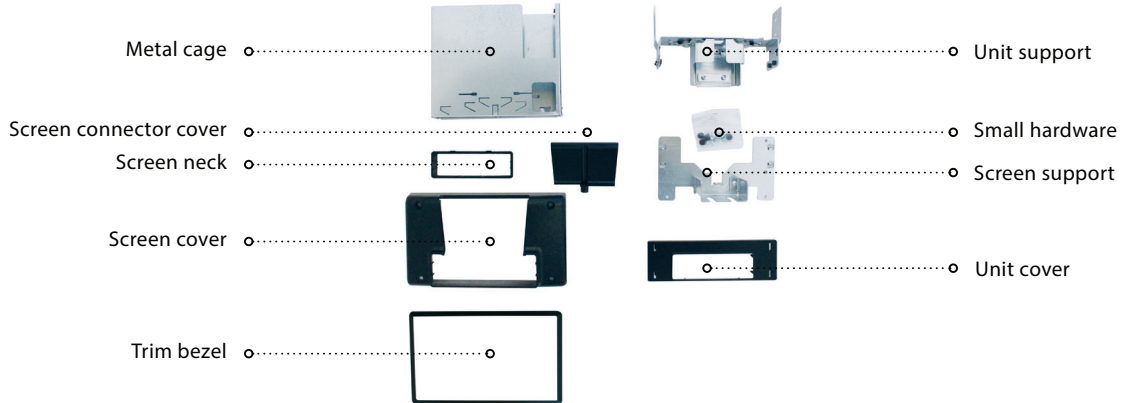


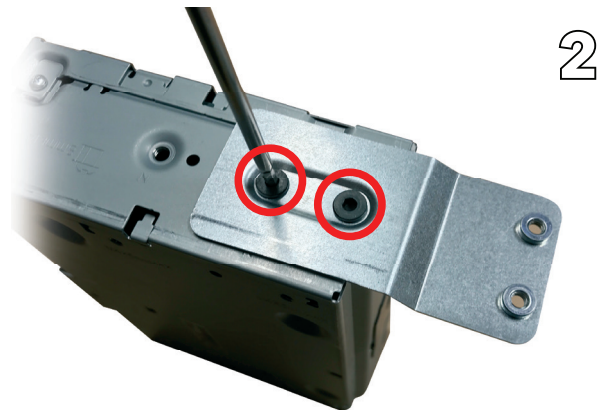


## CA-HM-UNI-EVO.004 INSTALLATION KIT FOR SPH-EVO82DAB

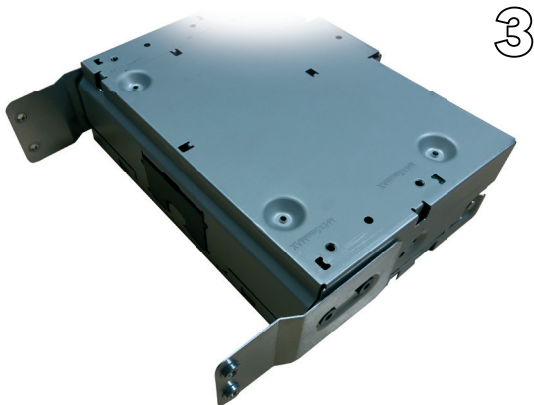
EN - Installation Manual



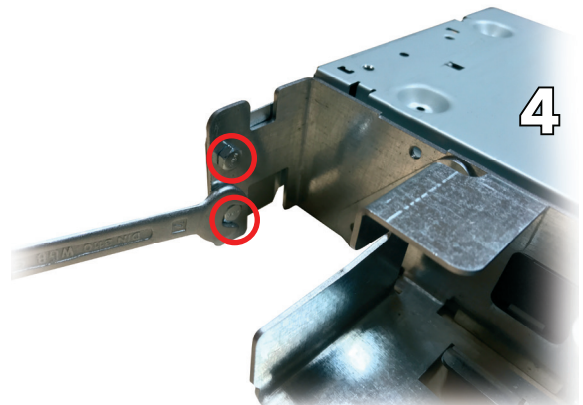
1  
**Open locking mechanism**



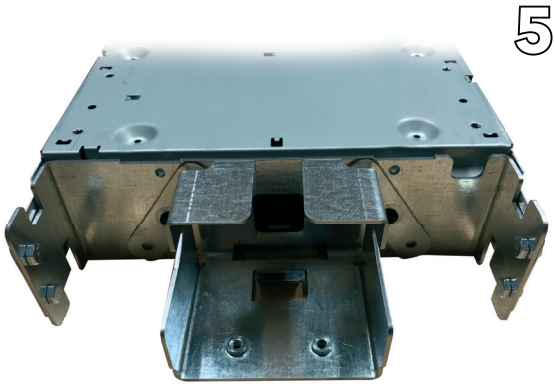
2  
**Mount side support bracket with the hardware supplied (included with the installation kit)**



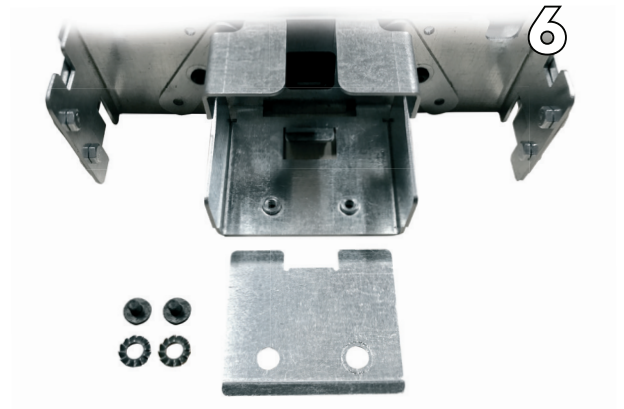
3  
**Left & right support brackets installed**



4  
**Mount unit support to the side brackets using the supplied hexagonal bolts (included with the installation kit)**



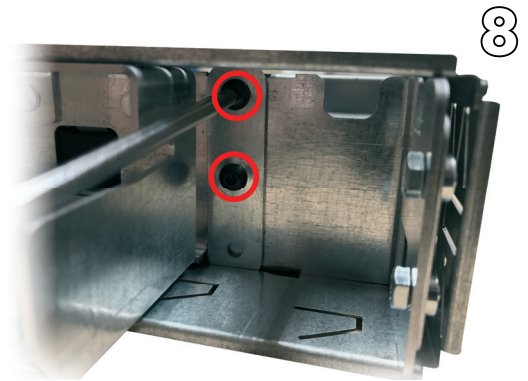
**Completed installation of unit with unit support**



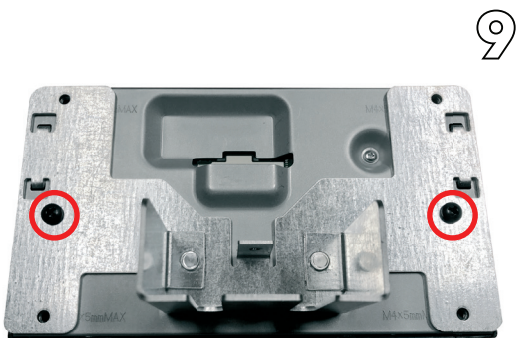
**Install sliding mecha using the shown hardware (included with the installation kit)**



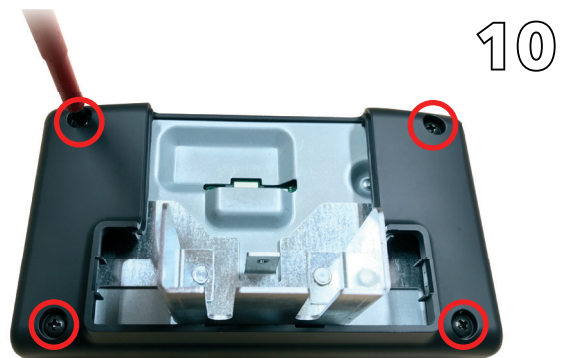
**Slide the complete mechanism into the metal cage**



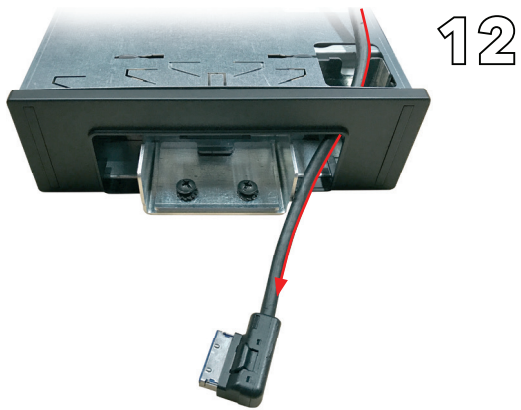
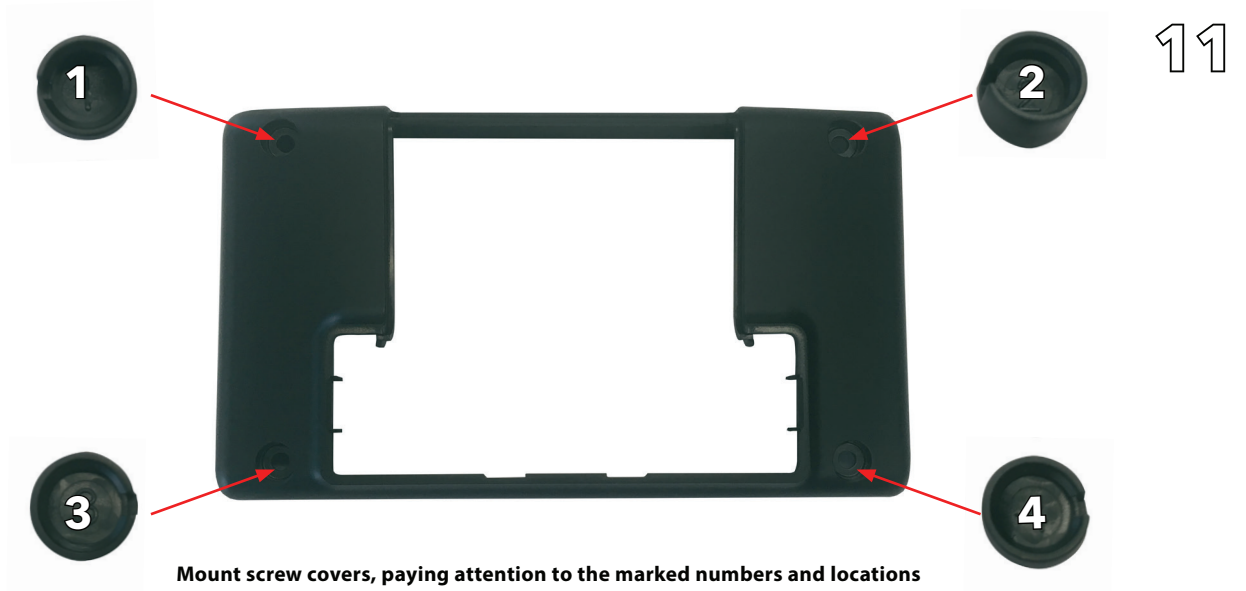
**Lock the unit support into the metal cage by opening the two metal tabs and tighten the indicated screws (on both sides)**



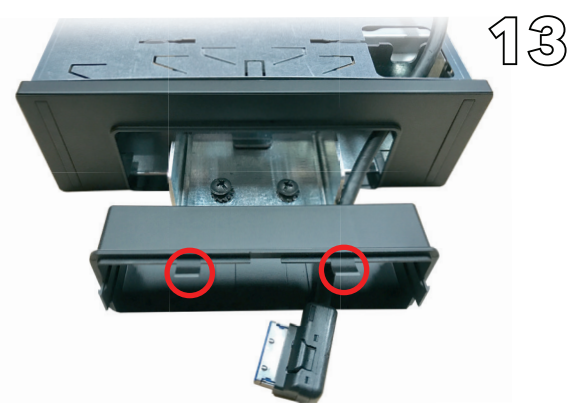
**Mount screen support to the screen using the two center screws on each side (included with SPH-EVO82DAB)**



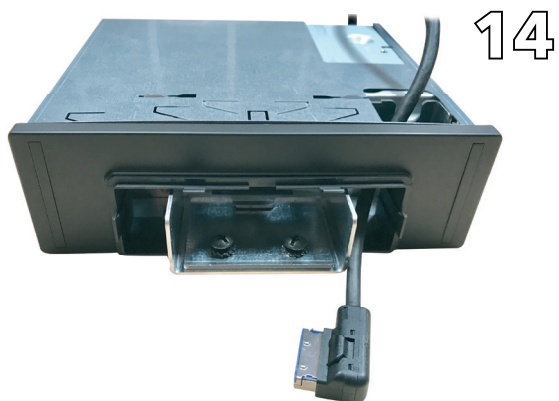
**Mount screen cover onto the screen support using the remaining four screws as indicated (included with SPH-EVO82DAB)**



Pull screen cable over the unit into the opening and install the unit cover



Slide the screen neck into the unit cover, pay attention to the positioning of the tabs



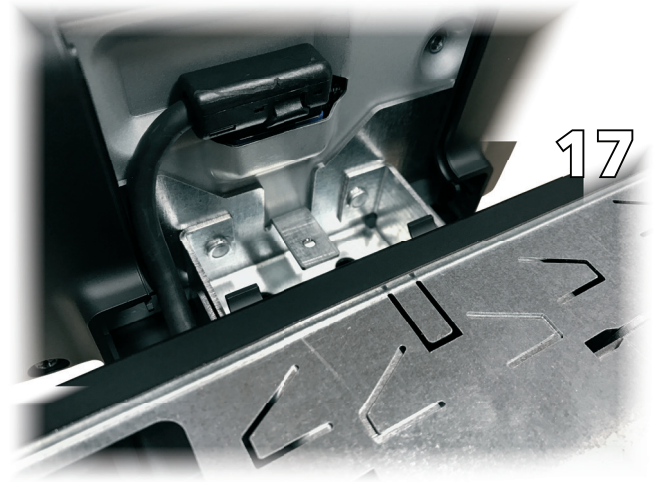
Completely inserted screen neck



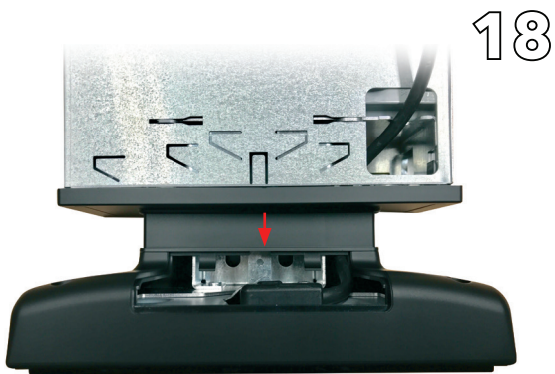
Slide the screen support into the unit support



Choose the desired distance for your screen and tighten the two screws on top (included with the installation kit)



Insert the connector into the screen



Pull the screen neck towards the screen holder until it 'clicks' into place



Slide the connector cover in the back of the screen and fix the screw (included with SPH-EVO82DAB)



Install the front cover with the chrome bezel



Final product image