

Firmware update for iPhone with Lightning connector compatible with AppRadio Mode

Update instructions for navigation models:

AVIC-F40BT, AVIC-F940BT, AVIC-F840BT and AVIC-F8430BT that have been upgraded using the NAVTEQ software upgrade T1000-20496.

REMARKS

- ✓ **This firmware update is necessary only if you own an iPhone with Lightning connector and if you want to enjoy AppRadio Mode, music and/or video playback from your iPhone with Lightning connector. (For details on function limitations caused by this firmware update, refer to *IMPORTANT* on following page.)**
- ✓ **This firmware update applies only to AVIC-F40BT, AVIC-F940BT, AVIC-F840BT, or AVIC-F8430BT sold in Europe and that have been upgraded using the NAVTEQ software upgrade T1000-20496. Installing the update on other products could seriously damage the products.**
- ✓ **If you apply any software upgrade to your navigation system after this firmware update, you need to apply a separate firmware update that is specifically intended for the software upgrade installed onto your navigation system.**
- ✓ **In this manual, iPhone 5 and iPod touch (5th generation) will be referred to as “iPhone with Lightning connector”.**

Functions enabled by firmware update

Updating the firmware of your navigation system results in the following changes.

- Functions related to an iPhone with Lightning connector will be available.
- “iPod Settings” is added to the “AV System Settings” menu.
- Setting values of “App Connection” change from “Wired” to “iPhone”, and from “Bluetooth” to “Others”, respectively.
- “Connect” gets added to the “aha” screen to connect your registered iPhone with Lightning connector.

IMPORTANT

- The following cables are required for connection to your navigation system. However, Bluetooth audio is not available when using these cables and “iPod Connection Settings” is set to “VGA”.
 - VGA/USB interface cable for iPod / iPhone (CD-IV202NAVI) (sold separately)
 - Lightning to VGA Adapter (Apple Inc. products) (sold separately)
 - Lightning to USB cable (CD-IU52 or CA-IU.52C) (sold separately) or Lightning to USB cable (supplied with iPhone with Lightning connector)Functions that use GPS positioning are not available in AppRadio Mode or Aha Radio while an iPod touch is connected using this method.
- When you using the VGA/USB interface cable for iPod / iPhone (CD-IV202NAVI) (sold separately) and “iPod” is selected as a rear display source, there may be no audio output available through the rear display output when the SD or USB source is selected on the navigation unit. For details, refer to *Notice regarding output setting of the rear display* on page 11.
- If you want to play music and/or video files stored on your iPhone with Lightning connector, first install CarMediaPlayer app on your iPhone with Lightning connector, then launch CarMediaPlayer while in AppRadio Mode from your navigation system. You cannot play music and/or video files stored directly from your iPhone with Lightning connector using the VGA/USB interface cable for iPod / iPhone (CD-IV202NAVI) (sold separately) without CarMediaPlayer app.
 - CarMediaPlayer is available for free from your local App Store.
 - AppRadio Mode was previously known as Advanced App Mode.
- If you connect your iPhone with Lightning connector to your navigation system using a USB interface cable for iPod (CD-IU51V or CA-IW.51V) (sold separately) and a Lightning to 30-pin Adapter (Apple Inc. products) (sold separately), playing music files on your iPhone with Lightning connector is available.

Copyright

The names of private corporations, products and other entities described in this product are the registered trademarks or trademarks of their respective firms. For more information, refer to the Operation Manual of your navigation system.

Updating the firmware must be undertaken in the following order.

- A. Downloading firmware update files**
- B. Updating firmware on your navigation system**
- C. Verifying system application version**
- D. Connecting your iPhone with your navigation system**

A. Downloading firmware update files

IMPORTANT

Please download and print these firmware update instructions before downloading and installing the firmware update. It is very important that you complete all steps correctly and in the order described below.

Procedure

1. Download only the single file that corresponds with your model from the website to your computer.

- For AVIC-F40BT, the file name is “AVIC-F40BT_FW-Update_v5.100.zip”.
- For AVIC-F940BT, the file name is “AVIC-F940BT_FW-Update_v5.100.zip”.
- For AVIC-F840BT, the file name is “AVIC-F840BT_FW-Update_v5.100.zip”.
- For AVIC-F8430BT, the file name is “AVIC-F8430BT_FW-Update_v5.100.zip”.

2. Locate the file on your hard drive and decompress it.


The downloaded file produces the following folder and file when decompressed.

- “AVICZ110”
- “TESTMODE.KEY”

Note: Although the folder is named “AVICZ110”, it does contain the correct firmware files for AVIC-F40BT, AVIC-F940BT, AVIC-F840BT or AVIC-F8430BT. Do not rename the folder or attempt to install these files on anything other than AVIC-F40BT, AVIC-F940BT, AVIC-F840BT or AVIC-F8430BT.

B. Updating firmware on your navigation system

IMPORTANT

- DO NOT perform any steps of this firmware update if the model number is anything other than AVIC-F40BT, AVIC-F940BT, AVIC-F840BT or AVIC-F8430BT. Check your model number before updating firmware.
 - For AVIC-F40BT, the model number is located to the left of the VOL (+/–) button.
 - For AVIC-F940BT and AVIC-F840BT, the model number is located just below the  button.
 - For AVIC-F8430BT, the model number is not printed on the navigation system. Please refer to the Operation Manual of your navigation system to check your model number.
- SD memory card or microSD card requirements:
 - For AVIC-F40BT, SD memory card 250 MB or more in capacity
 - For AVIC-F940BT, AVIC-F840BT and AVIC-F8430BT, microSD card 250 MB or more in capacity
 - Should be blank and formatted in “FAT32” (SD memory card or microSD card should not contain any files).
 - Write-protect switch should be unlocked.
- While your navigation system is being updated, DO NOT turn off the system’s power. Failure to follow this warning may result in serious damage to your navigation system.
- DO NOT eject SD memory card or microSD card during firmware update process.
- Performing firmware update restores all settings to their default values.
- Disconnect any mobile devices currently connected to your navigation system before you perform a firmware update.

Procedure

- 1. Connect a SD memory card or microSD card to your computer, and then locate and copy the “AVICZ110” and “TESTMODE.KEY” onto the SD memory card or microSD card.**

Ensure update folder and file are located within the root (top) folder of your SD memory card or microSD card. There should be no other files on the SD memory card or microSD card.


- 2. Turn your vehicle’s key to ON position and power up your navigation system.**

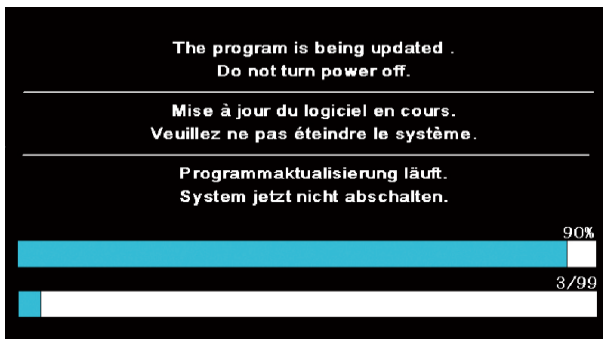
- 3. Press the MODE button to display the “AV source” screen, and then tap [Off] on the left edge of the screen.**

The AV source turns off.

- 4. Insert the SD memory card or microSD card into your navigation system.**

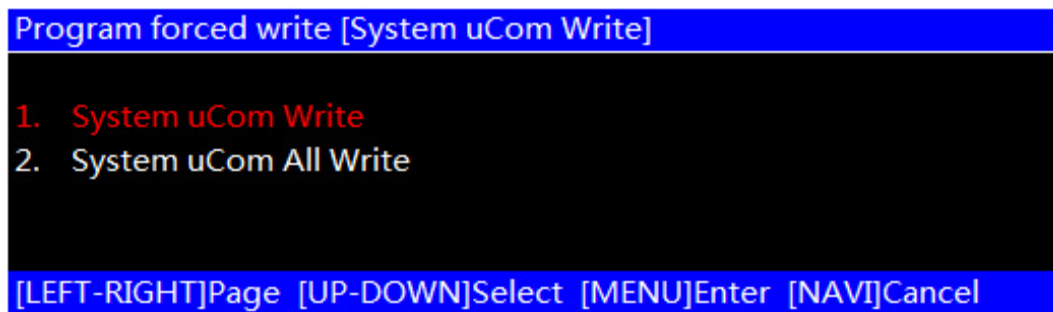
The system automatically recognises the firmware update file, reboots, and starts update process within a minute.

— For AVIC-F40BT, you can press the  button to close the LCD panel while you are updating the firmware.



5. Wait until the update process is complete.

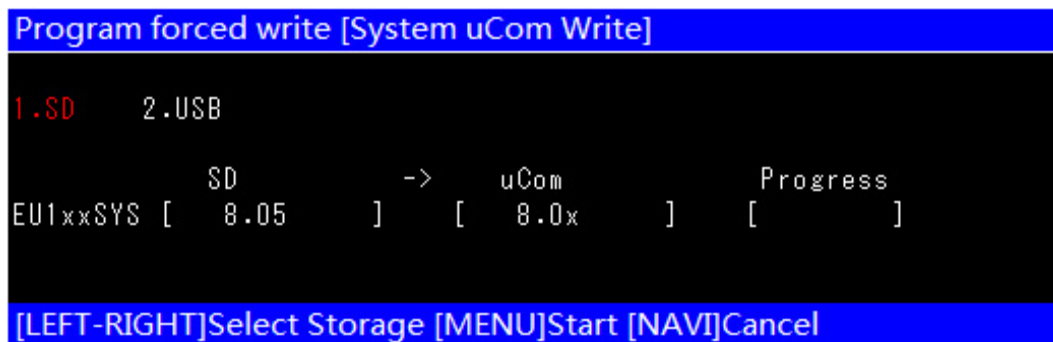
The update process takes approximately two to three minutes to complete. Once the firmware update process is complete, your navigation system displays the “Program forced write [System uCom Write]” screen.



— The default setting is “System uCom Write”.

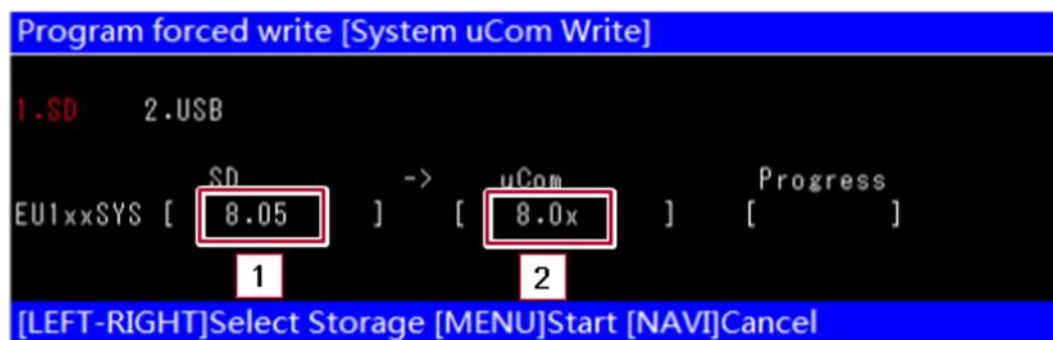
6. Select “System uCom Write” with the VOL (+/–) button, and then press the MODE button.

The following screen appears.



— For AVIC-F940BT and AVIC-F840BT, Multi-control is used instead of the VOL (+/–) button.

7. Confirm (1) the SD version is “8.05” and (2) the uCom version is “8.04” or earlier.



— If the SD version is displayed as “- - - - -”, the data on the SD memory card or microSD card may be corrupted. Please repeat the firmware download and installation process.

8. If the SD version is correct and the uCom version is “8.04” or earlier, press the MODE button on your navigation system to begin the uCom update.

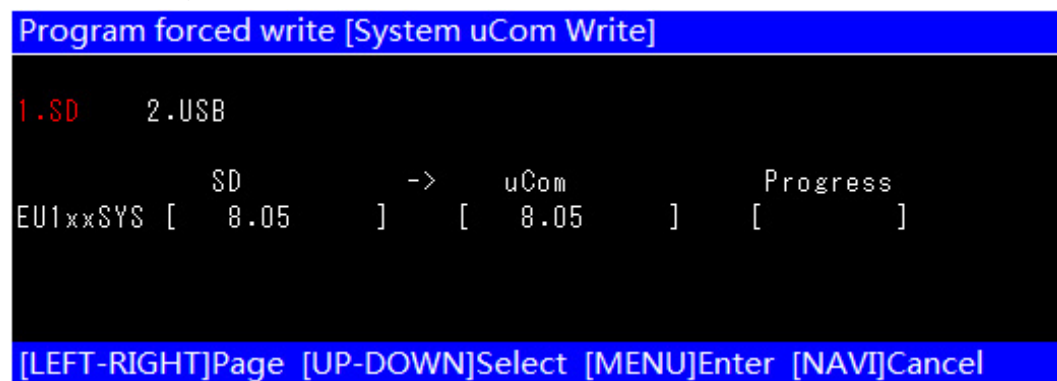
WARNING! Do not turn off power or eject the SD memory card or microSD card while the update is in progress. Failure to follow this warning may result in serious damage to your navigation system.

9. Wait until the update process is complete.

The update process takes approximately six minutes to complete. Once the uCom update is complete, your navigation system automatically reboots and the “Program forced write [System uCom Write]” screen appears again.

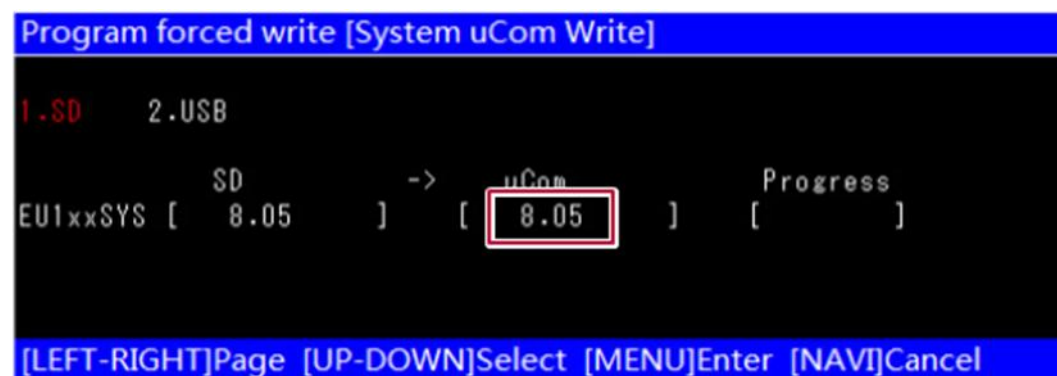
10. Select “System uCom Write” with the VOL (+/–) button, and then press the MODE button.

The following screen appears.



— For AVIC-F940BT and AVIC-F840BT, Multi-control is used instead of the VOL (+/–) button.

11. Confirm the uCom version is “8.05”.



12. Eject the SD memory card or microSD card on the “Program forced write [System uCom Write]” screen and turn the vehicle’s key to OFF position to power off your navigation system.

The firmware update is now complete.

C. Verifying system application version

Procedure

1. Press the HOME button to display the “Top Menu” screen.



2. Touch [Settings].

The “Settings Menu” screen appears.

3. Touch [System Settings].

The “System Settings” screen appears.

4. Touch [Service Information].

The “Service Information Screen” appears.

5. Touch and hold the upper left corner of the screen.



The current firmware version appears.

6. Confirm the application version is “5.100”.

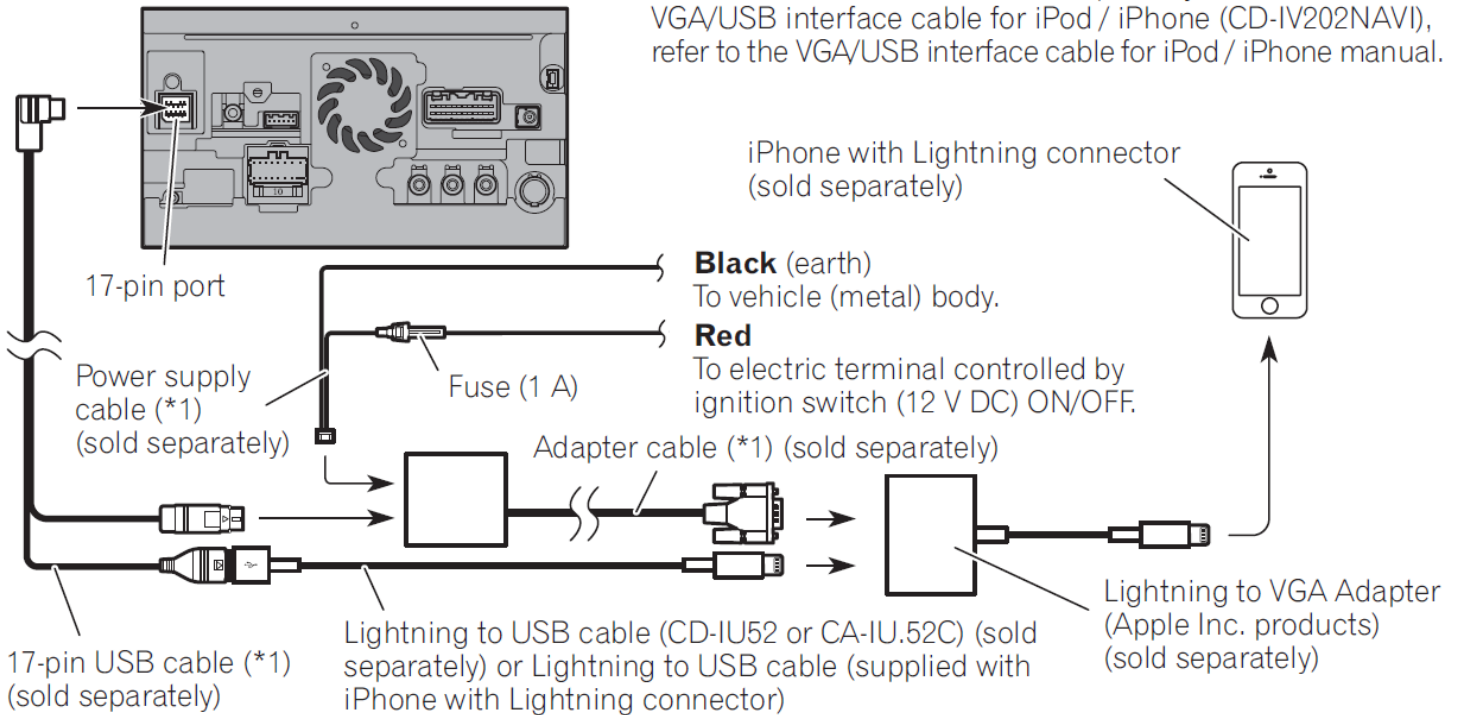


7. Touch .

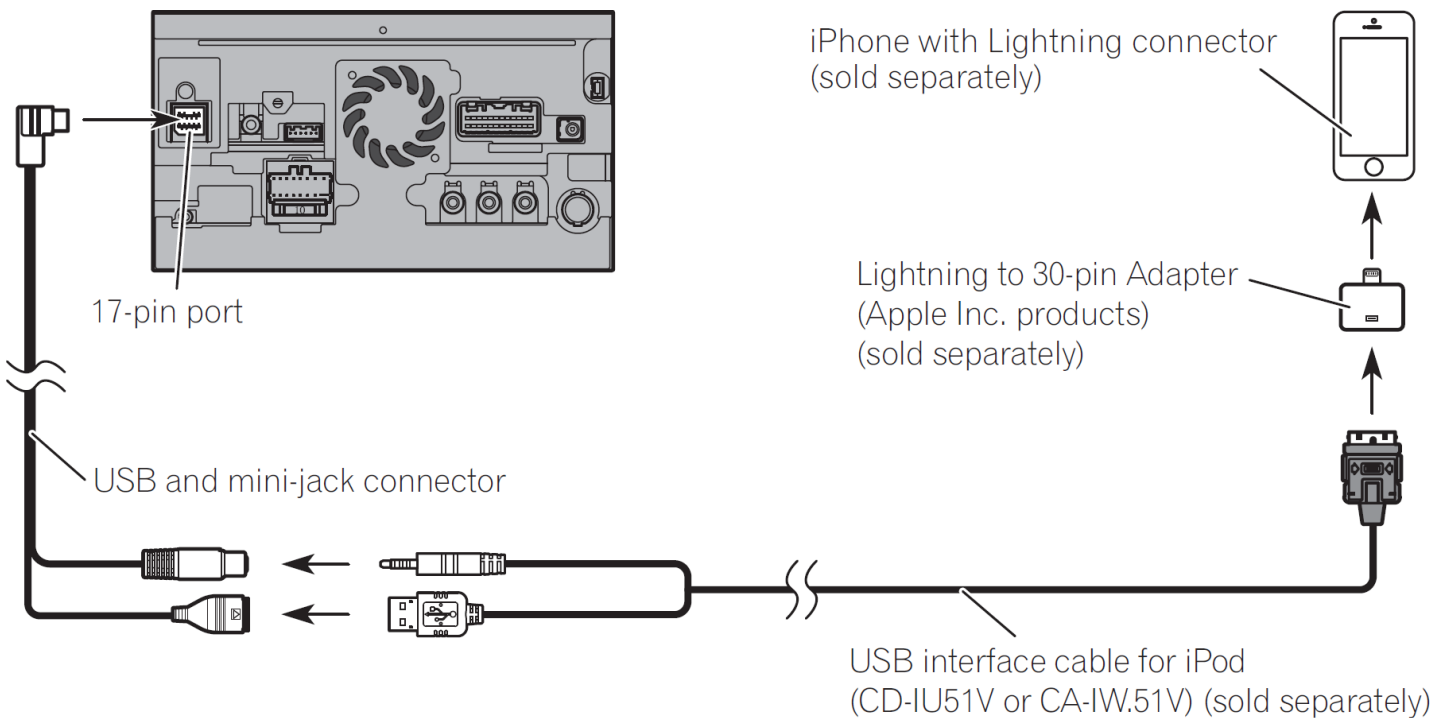
D. Connecting your iPhone with your navigation system

Connecting an iPhone with Lightning connector

(*1) For details of how to connect the separately sold VGA/USB interface cable for iPod / iPhone (CD-IV202NAVI), refer to the VGA/USB interface cable for iPod / iPhone manual.



Connecting an iPhone with a Lightning to 30-pin Adapter



Setting for iPod source and Aha Radio

The following settings are required for iPod source and Aha Radio.

Device Name	App Connection	iPod Connection Settings
iPhone with Lightning connector (Both music and video files are playable in AppRadio Mode.)	iPhone	VGA
iPhone with a Lightning to 30-pin Adapter (Only music files are playable.)	iPhone	30-pin
Notes: <ul style="list-style-type: none">• In this section, iPhone, iPod touch, iPod classic, and iPod nano will be referred to as “iPod device”.• The default setting of “App Connection” is “iPhone”.• The default setting of “iPod Connection Settings” is “30-pin”.		

Setting App Connection

1. Disconnect an iPod device or a USB storage device.

“App Connection” is only active when an iPod device or a USB storage device is disconnected.

2. Press the MODE button to display the “AV source” screen, and then tap [Off] on the left edge of the screen.

The AV source turns off.

3. Press the HOME button to display the “Top Menu” screen.

4. Touch [Settings].

The “Settings Menu” screen appears.

5. Touch [AV Settings].

The “AV System Settings” menu appears.

6. Set “App Connection” to “iPhone”.

Each time you touch [App Connection] switches the setting between “iPhone” and “Others”.

Setting iPod Settings

1. Disconnect an iPod device or a USB storage device.

“iPod Settings” is only active when an iPod device or a USB storage device is disconnected.

2. Press the MODE button to display the “AV source” screen, and then tap [Off] on the left edge of the screen.

The AV source turns off.

3. Press the HOME button to display the “Top Menu” screen.

4. Touch [Settings].

The “Settings Menu” screen appears.

5. Touch [AV Settings].

The “AV System Settings” menu appears.

6. Touch [iPod Settings] and then select “30-pin” or “VGA”.

Using AppRadio Mode (for iPhone with Lightning connector users)

AppRadio Mode is previously referred to as Advanced App Mode. Even though the function name has been changed from “Advanced App Mode” to “AppRadio Mode”, “Advanced App Mode” will still be displayed on the screen of your navigation system.

1. Register your iPhone with Lightning connector and connect it to your navigation system via Bluetooth® wireless technology.

If you have previously paired your iPhone with Lightning connector to your navigation system, you will have to re-register and connect your device after the firmware update is complete. Please refer to the Operation Manual of your navigation system for details on *Registering and connecting a Bluetooth device*.

2. Unlock and connect your iPhone with Lightning connector.

3. Press the MODE button to display the “AV source” screen, and then tap [iPod] on the left edge of the screen.

The operation screen of your iPhone with Lightning connector appears.

If you do not connect your iPhone with Lightning connector to your navigation system via Bluetooth, a confirmation message appears. Touch [Connect] on the message to connect your registered iPhone with Lightning connector via Bluetooth.

— If you touch [Settings] on the message, you can switch to the “Bluetooth Settings” screen to register your iPhone with Lightning connector.

— If you touch [Cancel] on the message, the confirmation message closes.

4. Touch .

The AppRadio app launches, and the “AppRadio Mode (Application menu)” screen appears.



5. Touch the desired application icon.

The desired application launches, and the application operation screen appears.

6. Operate the application.

Using Aha Radio (for iPhone with Lightning connector users)

The procedure for using this function is essentially the same as in steps 1 to 3 for *Using AppRadio Mode*. However, tap [aha] on the left edge of the screen in step 3.

— An image of the current content on the “aha” screen is not displayed only when you use the VGA/USB interface cable for iPod / iPhone (CD-IV202NAVI) (sold separately). Also, the icons of your available Aha Radio stations on the list are not displayed with this connecting method.

Notice regarding output setting of the rear display

When you using the VGA/USB interface cable for iPod / iPhone (CD-IV202NAVI) (sold separately) and selecting the following settings, the video of the iPod and the sound of SD or USB are output to the rear display. This occurs if you select the SD or USB source on the front display of the navigation unit.

— “App Connection” is set to “iPhone”.

— “iPod Connection Settings” is set to “VGA”.

— Video and sound of iPod is set as the rear display output.

If you want to output the video and sound of the iPod on the rear display, select any source except the SD or USB source on the front display of the navigation unit.

© 2013 PIONEER CORPORATION.
All rights reserved.