

### Precaution

#### ⚠ WARNING


- Slots and openings in the cabinet are provided for ventilation to ensure reliable operation of the product, and to protect it from overheating. To prevent fire hazard, the openings should never be blocked or covered with items (such as papers, floor mat, cloths).
- This equipment is not waterproof. To prevent a fire or shock hazard, do not place any container filled with liquid near this equipment (such as a vase or flower pot) or expose it to dripping, splashing, rain or moisture.
- To prevent a fire hazard, do not place any naked flame sources (such as a lighted candle) on the equipment.

#### ⚠ CAUTION

- Do not look into the lens while the device is operating.

#### Safety Precautions

Read these safety instructions before using your device and store them for possible future reference.

- The graphical symbol  placed on the product means direct current.
- If the cord is damaged, have it repaired by the manufacturer, its service or a similarly qualified person in order to avoid any hazard.
- The device is not intended for use by persons (including children) with reduced physical, sensory or mental capacity. Persons who have not read the manual, unless they have received explanations by a person responsible for their safety and supervision should not use this unit.
- Children should be monitored to ensure that they do not play with the device.
- The device should always be readily accessible.
- The device should not be exposed to dripping or splashing water.
- No objects filled with liquids such as vases shall be placed on the device.
- Open flame sources, such as candles, should not be placed on top of the device.
- The device is intended for use only in a temperate climate.

#### Switch off in restricted areas

Switch the mobile device off where the use of mobile devices is not allowed or where there is a risk of causing interference or danger, for example on board an aircraft, near medical equipment, fuel, chemicals or blasting sites.

#### Road safety comes first

Check the current laws and regulations regarding the use of mobile devices in the areas where you drive.

Do not handle the mobile device when driving. Concentrate fully on the driving.

Use a hands-free kit whenever possible.

Radio signals could affect some of the car's electronic systems such as the audio stereo and alarm systems.

If the car is equipped with an airbag, do not hinder its deployment with fixed or wireless equipment. This could result in serious injury due to inadequate performance.

Screen information is intended to assist the driver's vision and does not detect all dangers or obstacles. Be sure to perform a visual check of conditions around the vehicle.

The Display features of this product are intended solely as an aid to you in the operation of your vehicle. It is not a substitute for your attentiveness, judgement, and care when driving. Do not operate this product, if doing so will divert your attention in any way from the safe operation of your vehicle. Always observe safe driving rules and follow all existing traffic regulations. If you experience difficulty in operating this product or reading the display, park your vehicle in a safe location and apply the handbrake before making the necessary adjustments

#### Interference

All wireless devices are susceptible to interference which may affect their performance.

#### Authorized personnel

Only qualified people are authorized to install or repair this product.

#### Accessories

Only use accessories which are compatible with this equipment. Do not connect incompatible products.

#### Keep the equipment dry

This equipment is not water proof. Keep it dry.

#### Children

Keep your mobile device in a safe place, out of the reach of young children. The mobile device contains small parts that may present a choking hazard.

#### Notes on using the product at high temperatures or low temperatures

- In order to protect the parts of the product at high temperatures or low temperatures, the brightness may decrease or the image output may stop, but this is normal. Please wait until the temperature inside a car becomes normal.
- The performance decreases at high temperatures or low temperatures. Please observe the operating temperature range (*Refer to Specifications*) described in this manual.
- If used outside of the operating temperature range, parts may be degraded.

Certain country and government laws may prohibit or restrict the placement and use of this product in your vehicle. Please comply with all applicable laws and regulations regarding the use, installation and operation of this product.



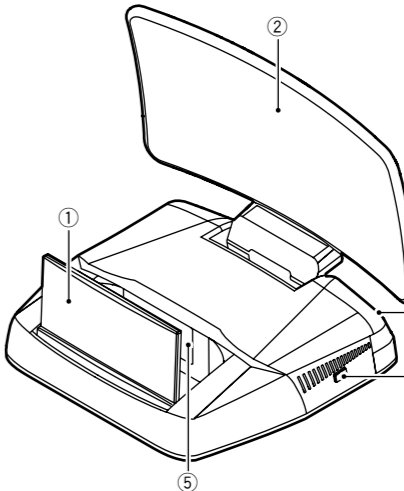
If you want to dispose this product, do not mix it with general household waste. There is a separate collection system for used electronic products in accordance with legislation that requires proper treatment, recovery and recycling.

Private households in the member states of the EU, in Switzerland and Norway may return their used electronic products free of charge to designated collection facilities or to a retailer (if you purchase a similar new one).

For countries not mentioned above, please contact your local authorities for the correct method of disposal.

By doing so you will ensure that your disposed product undergoes the necessary treatment, recovery and recycling and thus prevent potential negative effects on the environment and human health.

### What's what



① **Fold Mirror**

② **Optical Combiner**

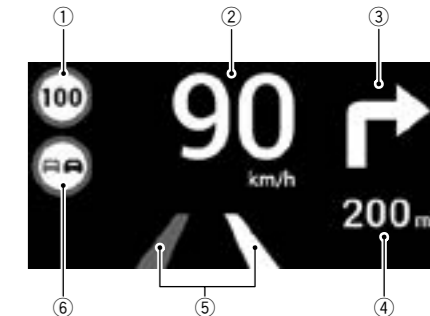
Please adjust the optical combiner for comfortable viewing.

③ **Light Sensor**

④ **Setting Button**

⑤ **PGU (Light Engine)**

### Screen information



① **Speed limit**

② **Current speed**

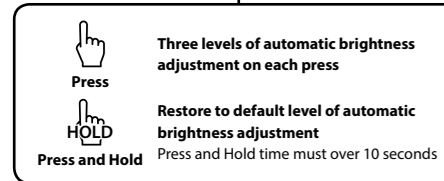
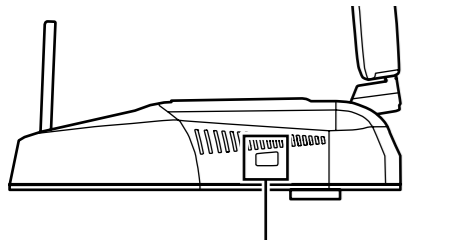
③ **Turn indicators**

④ **Distance to next turn**

⑤ **Lane departure info**

⑥ **No Overtaking**

## Brightness Adjustment



## Specifications

<b>General</b>	<b>Power supply voltage</b>	12 V (9 V to 16 V)
	<b>Maximum current consumption</b>	Average 0.18 A @ 12 V input at the highest brightness
	<b>Ground system</b>	Negative
	<b>Operating temperature</b>	-10 °C to +85 °C *In order to protect the parts of the product at high temperatures the brightness may decrease or the image output may stop.
	<b>Dimensions (W*H*D)</b>	This product : 167 mm × 131.06 mm × 130.6 mm Combiner : 167 mm × 91 mm × 5 mm
	<b>Weight</b>	350 g
<b>Display</b>	<b>HUD type</b>	Combiner type
	<b>Panel size</b>	1.24 inches (diagonal)
	<b>Resolution</b>	336 pixels (H) × 168 pixels (V)
	<b>Optical method</b>	LCD type
	<b>Light source</b>	White LED backlight
	<b>Viewing distance</b>	2.3 m
	<b>Virtual image size</b>	10.5 inch
	<b>Brightness</b>	15,000 nits LCD panel brightness is 30,000 nits.
	<b>Contrast ratio</b>	500
<b>Accessories</b>	<b>Quick Start Guide</b>	1
	<b>Warranty card</b>	1

## Warranty conditions

Please refer the warranty conditions on our website.:  
<https://www.pioneer-car.eu/eur/support/warranty>