

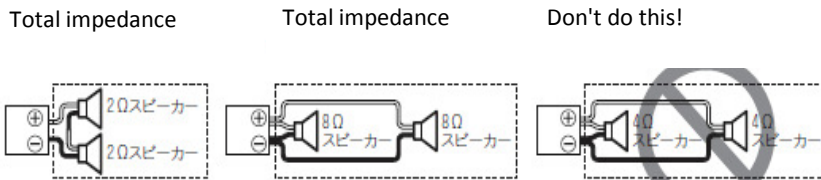
# GM-DX104 Bridgeable connection

Since GM-DX104 uses ISO connector for speaker connections, it is necessary to cut and modify the cord in case of bridge connection. Problems can be caused by this modification. So be careful and pay attention to avoid Shortcircuits on this cord assy, contact to ground or too low speaker impedance to avoid damage.

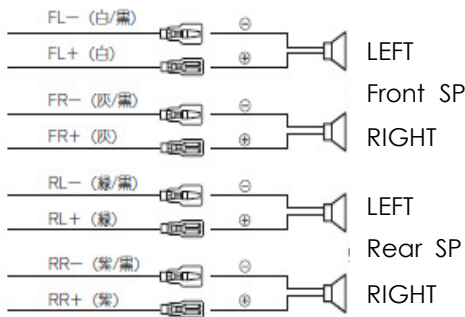
## Speaker cord connection

It possible to use this product with 4 channels, 3 channels or 2 channels for speaker output. Please refer to below for your purpose.

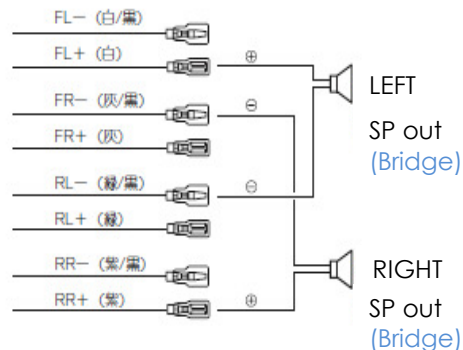
Note in case of bridge connection: Make sure that total impedance is between 4 and 8 ohm to prevent fire and damage when connecting multiple speakers as bridge connection.



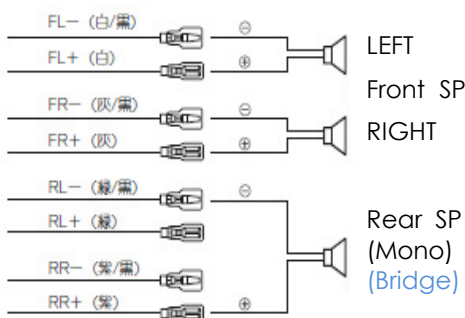
### 4 channels



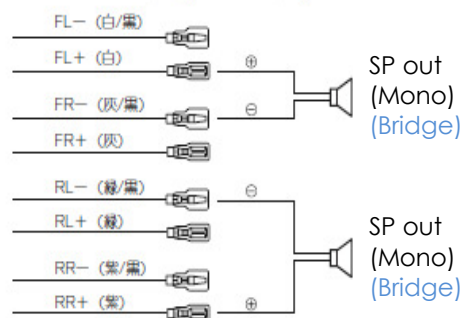
### 2 channels (Stereo)



### 3 channels



### 2 channels (Monaural)



### Cable colours:

FL-	White/black	RL-	Green/black
FL+	White	RL+	Green
FR-	Gray/black	RR-	Violet/black
FR+	Gray	RR+	Violet/black